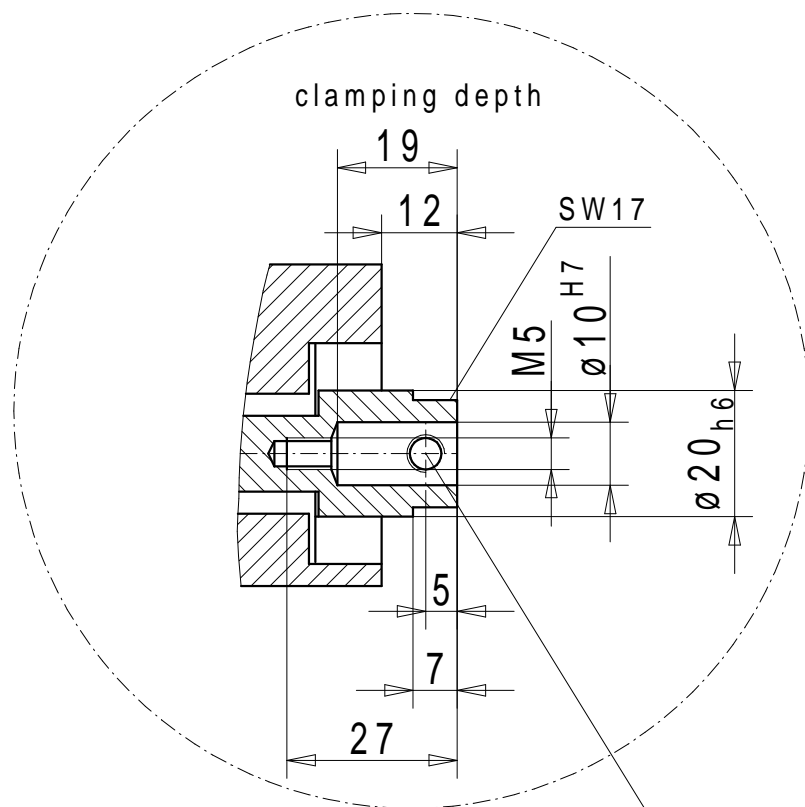
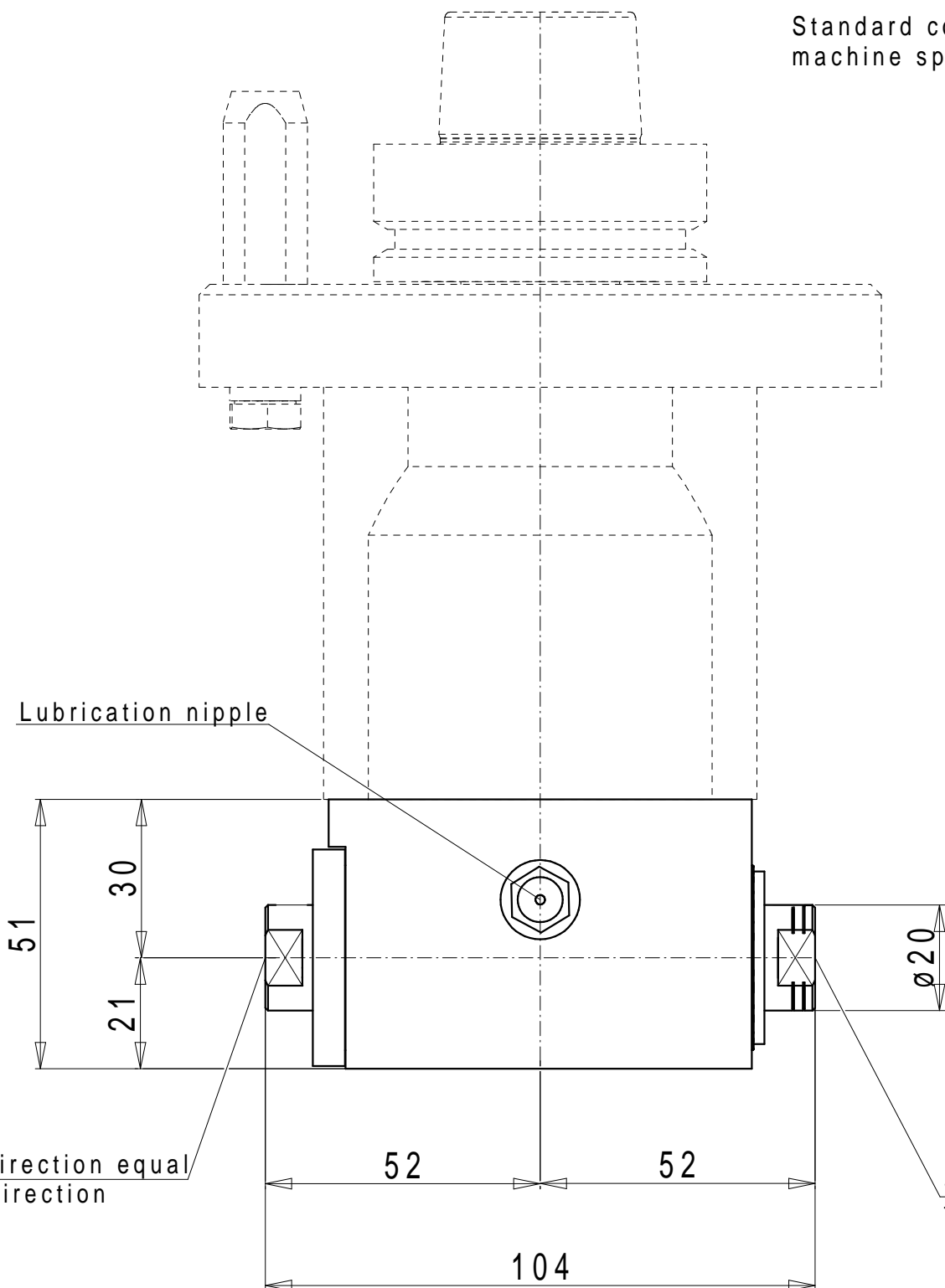


Drive adapter

Standard configurations and machine specific executions upon request

Shank receptacle $\varnothing 10H7$



M6 (1x) Binding screw
(Hexagon wrench 3 mm)

