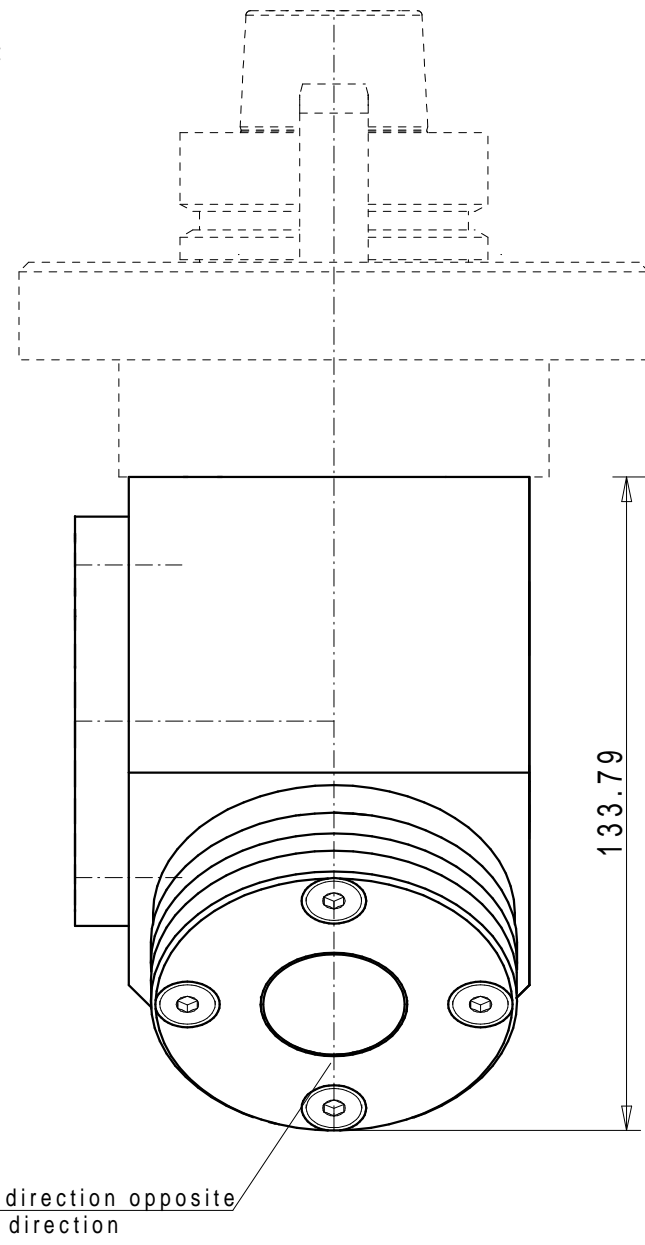
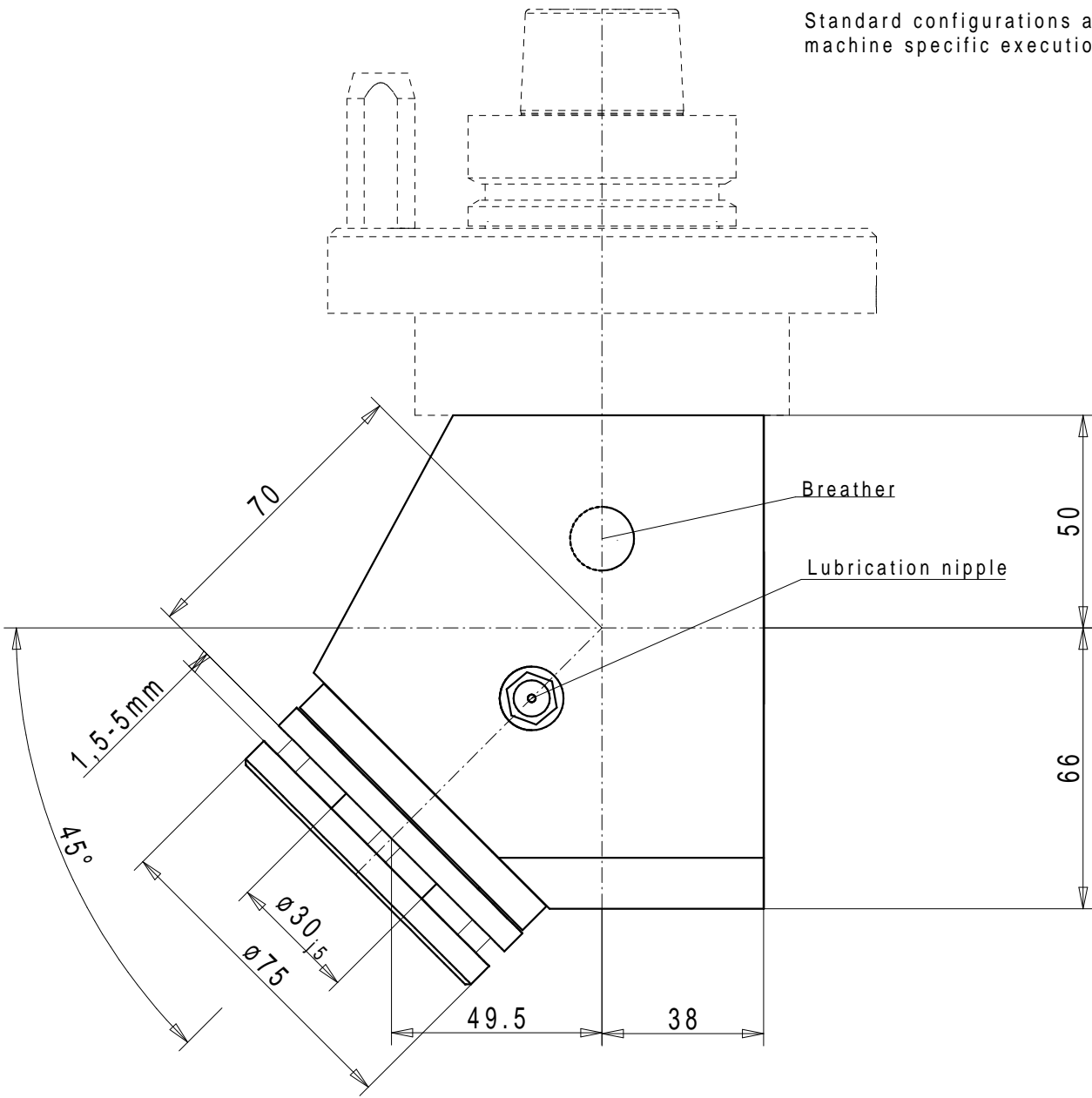
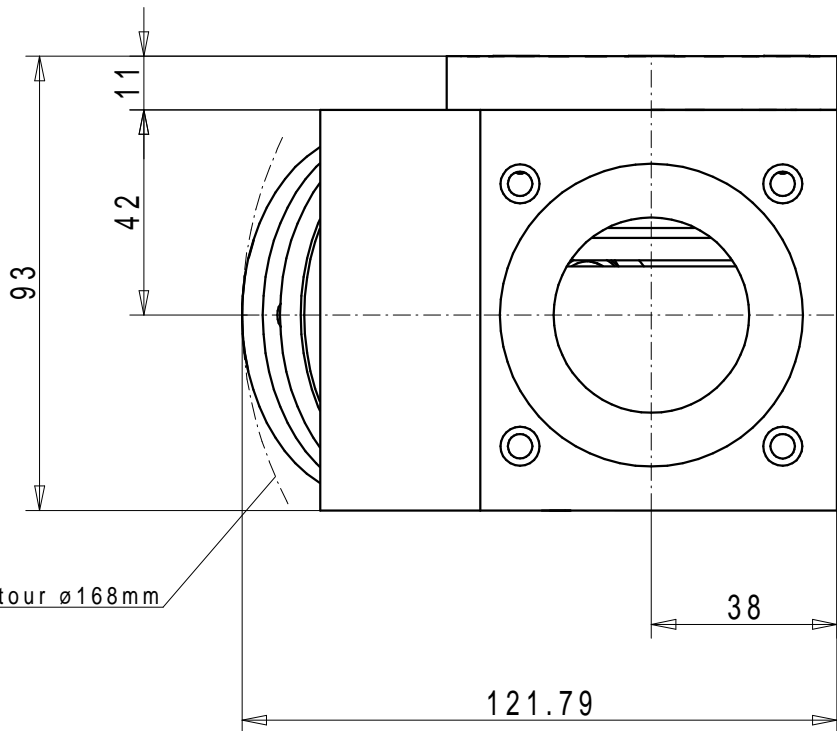


Drive adapter

Standard configurations and machine specific executions upon request



Spindle turning direction opposite to drive turning direction



Sawing receptacle

