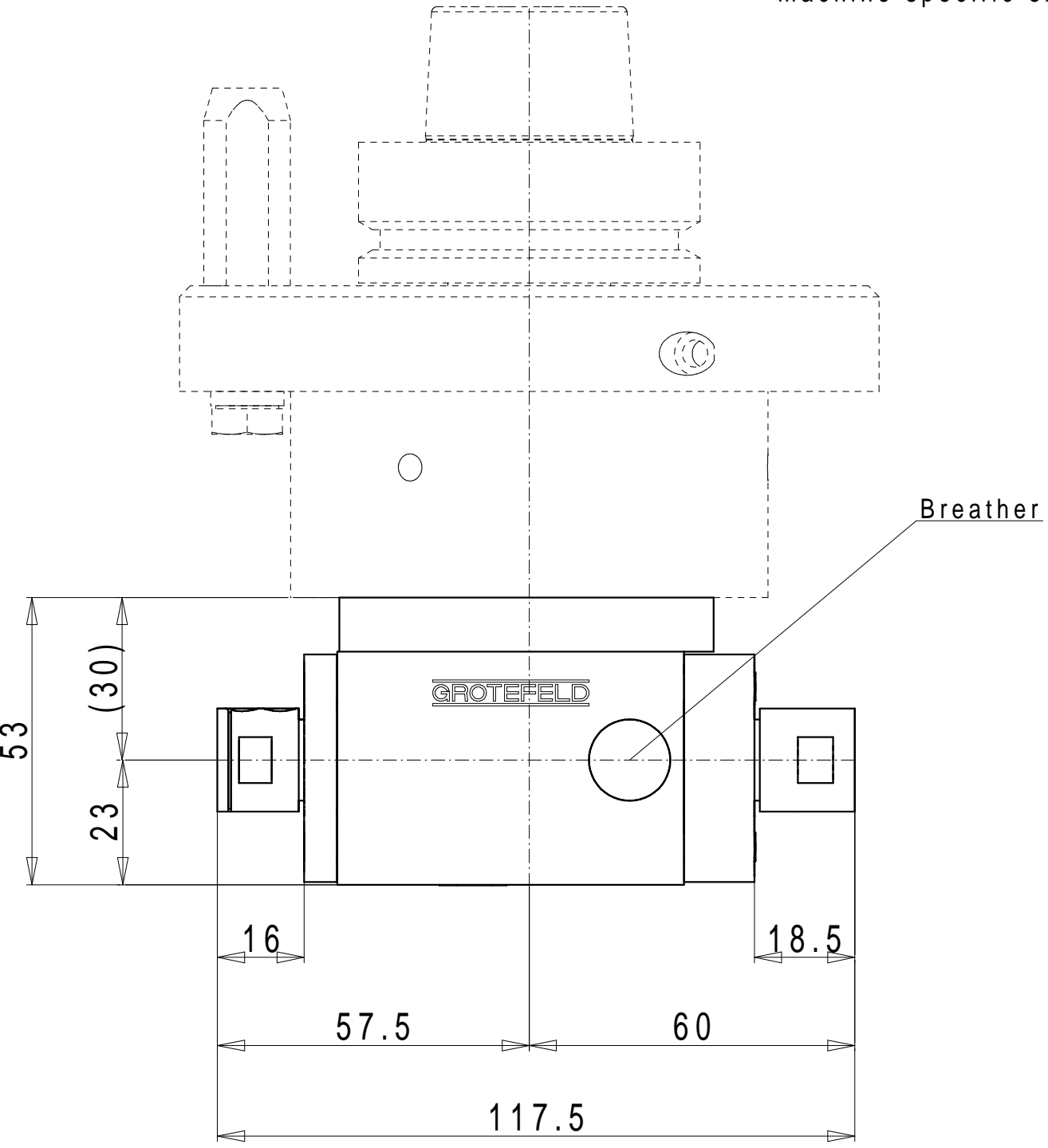
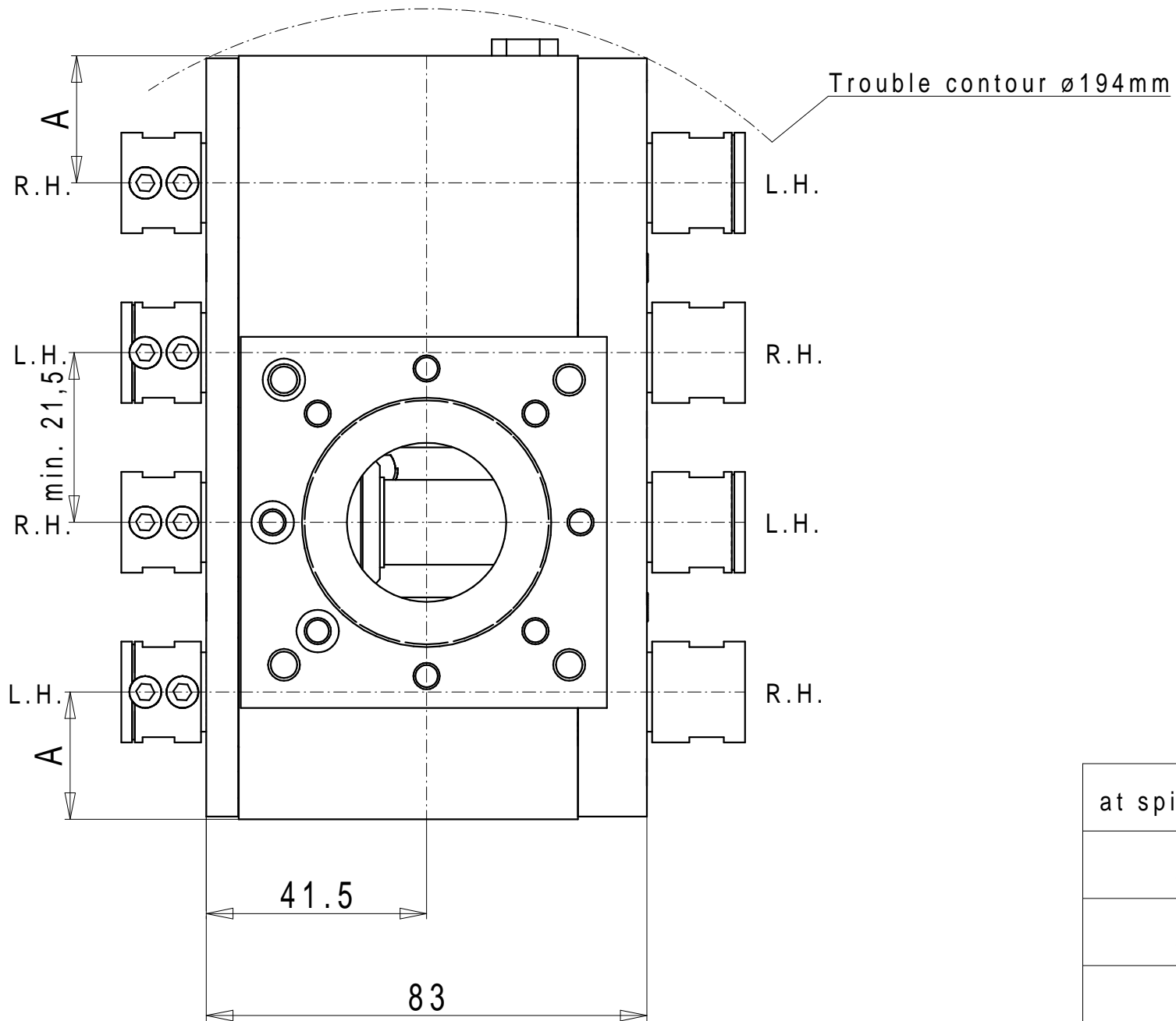
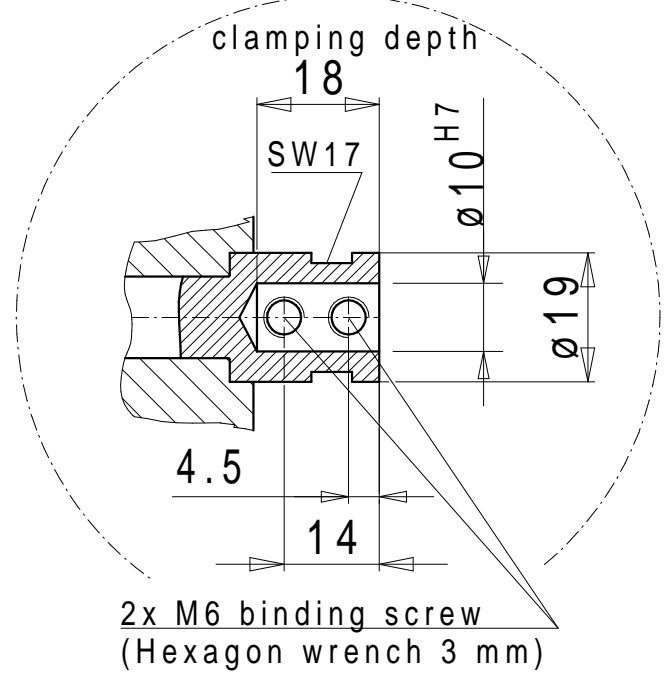


Drive adapter

Standard configurations and machine specific executions upon request



Shank receptacle $\varnothing 10H7$



at spindle distance	A =
21,5	22,0
22,0	22,0
32,0	24,0