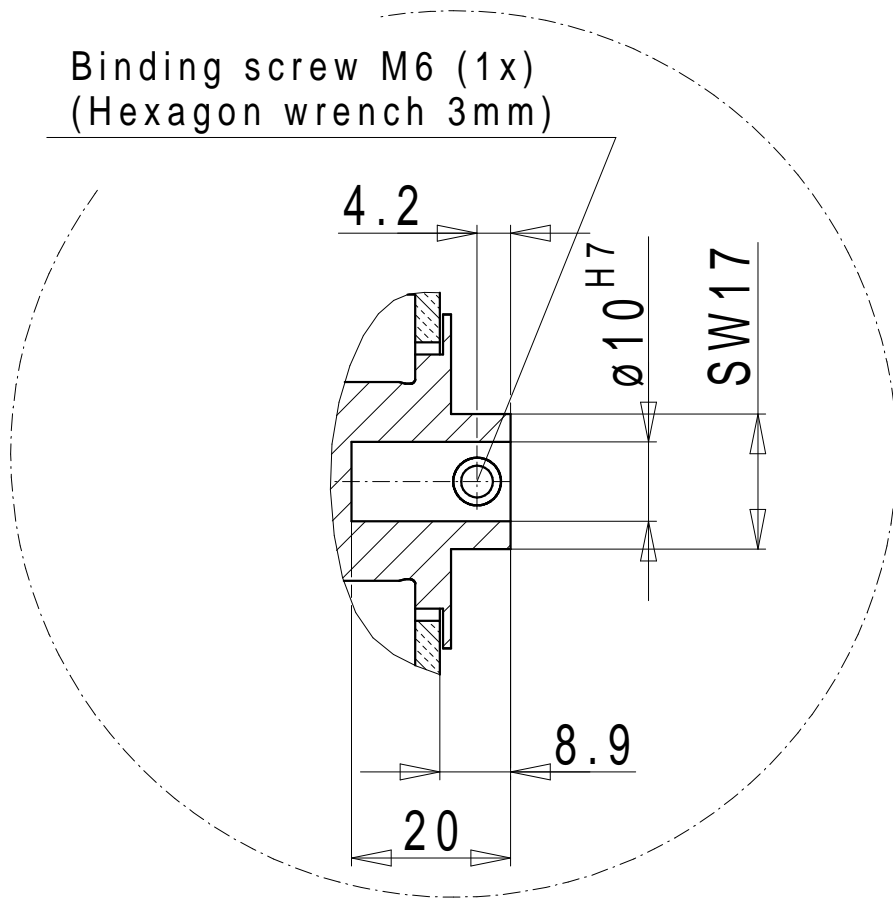


Shank receptacle $\varnothing 10$ H7



Shank receptacle M10 plan with $\varnothing 11$ H7

