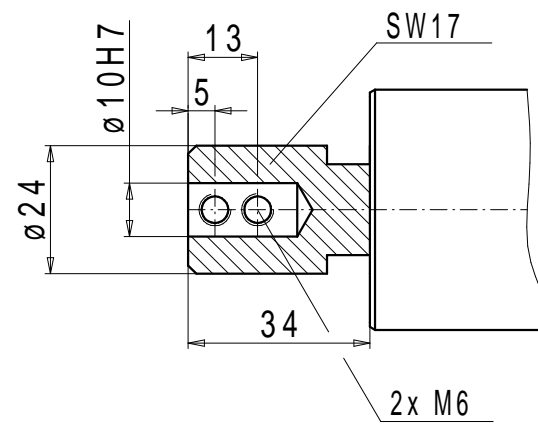
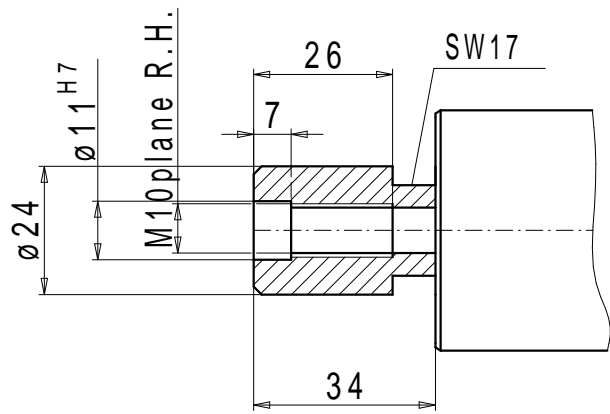


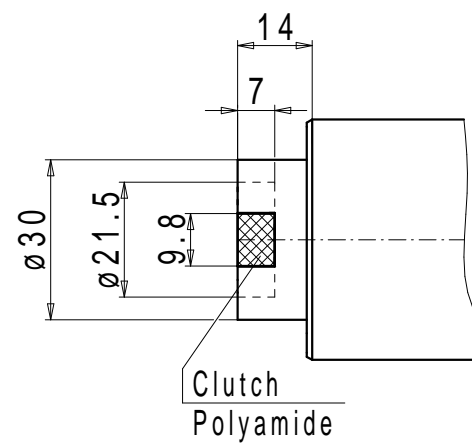
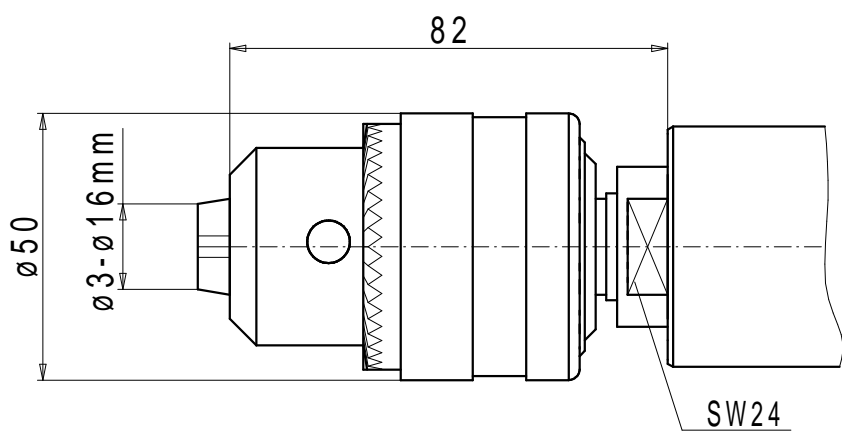
Shank receptacle  
M10plane r.h. with  
Spigot  $\varnothing$  11H7 mm  
Item Id. 508101

Shank receptacle  
 $\varnothing$ 10H7 mm cylindrical  
with 2 lateral M6  
Binding screws  
Item Id. 142001



Drill chuck  
 $\varnothing$ 3mm up to max.  $\varnothing$ 16mm  
Item Id. 143005

Drive piece (clutch)  
to drive  
GROTEFELD-multi spindle drilling gear  
Item Id. 143009



Collet receptacle Size 16  
 $\varnothing$ 2 mm up to max.  $\varnothing$ 16 mm  
Item Id. 143006

