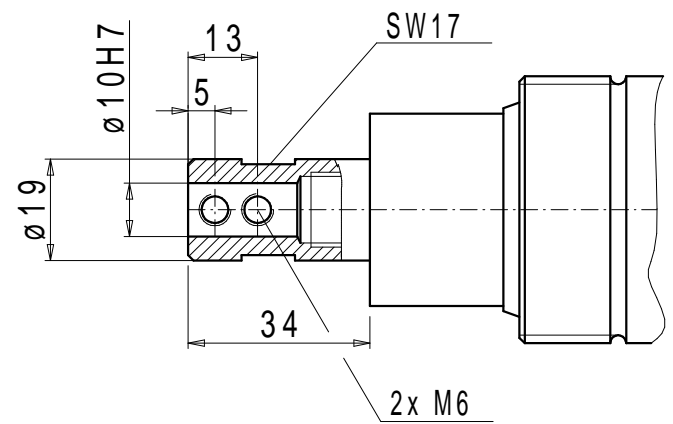
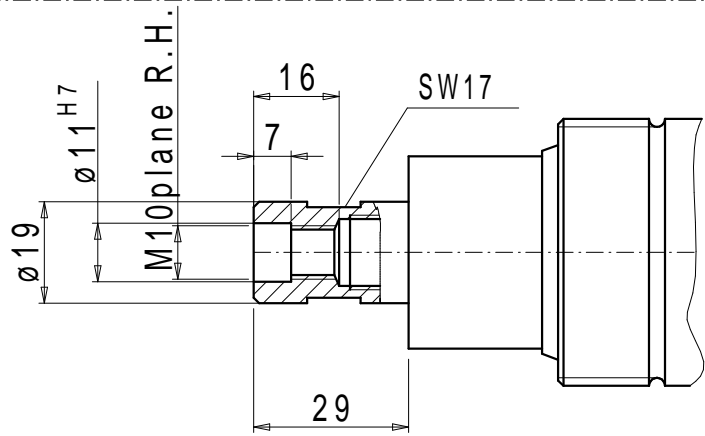


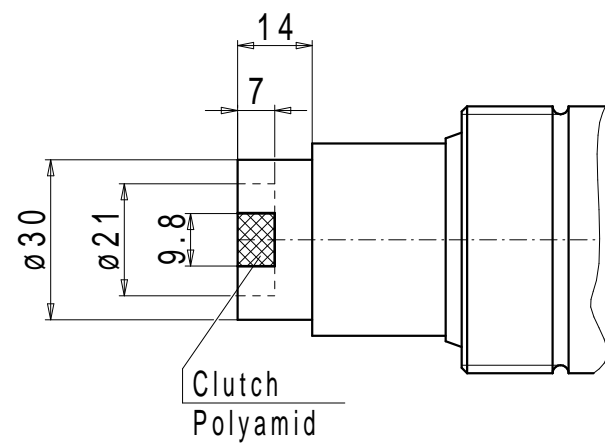
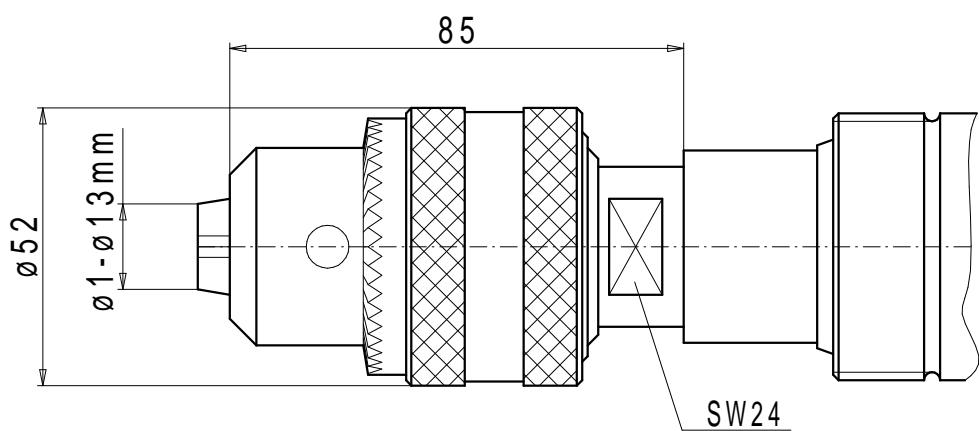
Shank receptacle
M10plane r.h. with
Spigot $\varnothing 11H7$ mm
Item Id. 508125

Shank receptacle
 $\varnothing 10H7$ mm cylindrical
with 2 lateral M6
Binding screws
Item Id. 142006



Drill chuck
 $\varnothing 1$ mm up to max. $\varnothing 13$ mm
Item Id. 142002

Drive piece (clutch)
to drive
GROTEFELD-multi spindle drilling gear
Item Id. 142004



Collet receptacle Size16
 $\varnothing 2$ mm up to max. $\varnothing 16$ mm
Item Id. 142003

