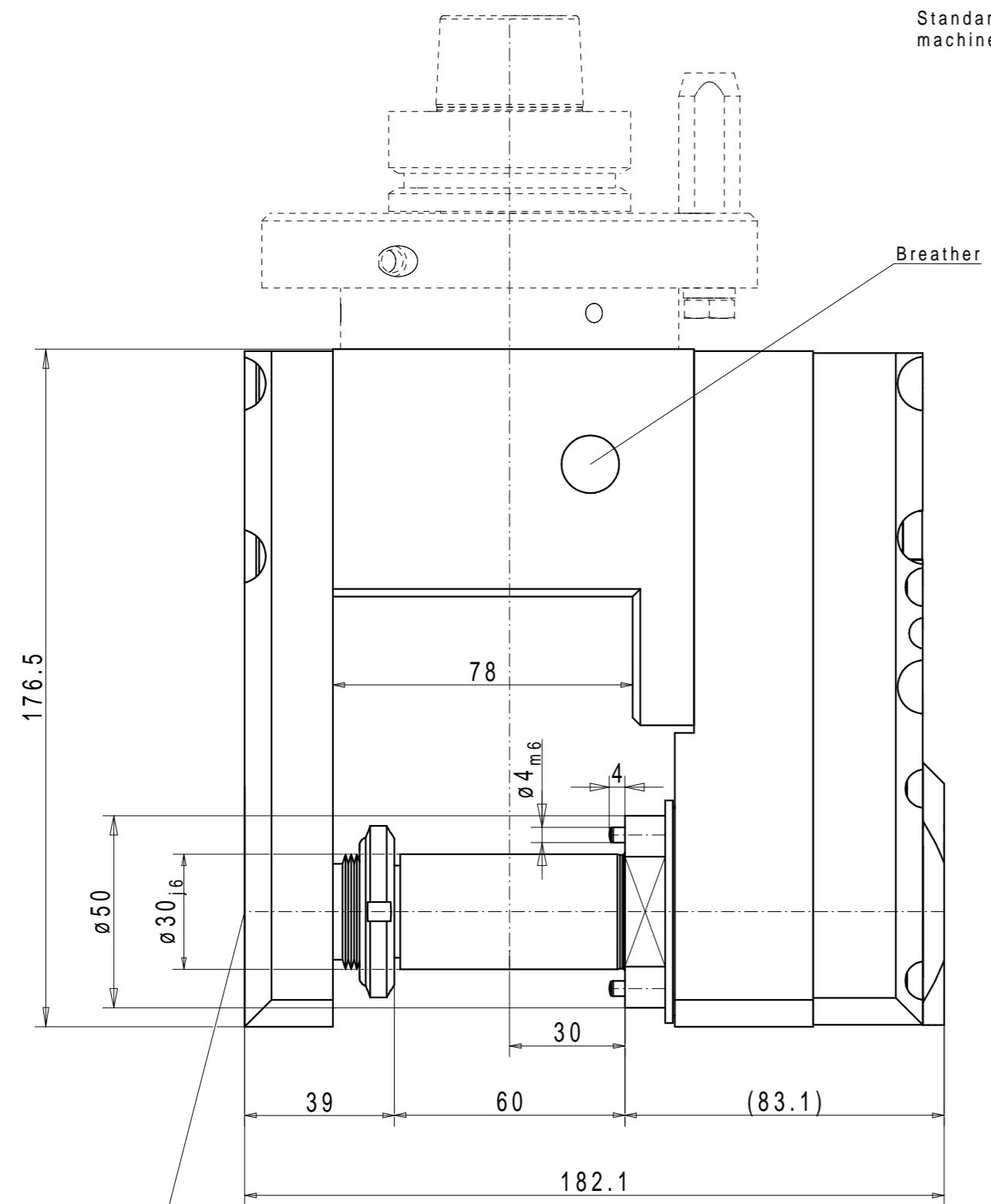
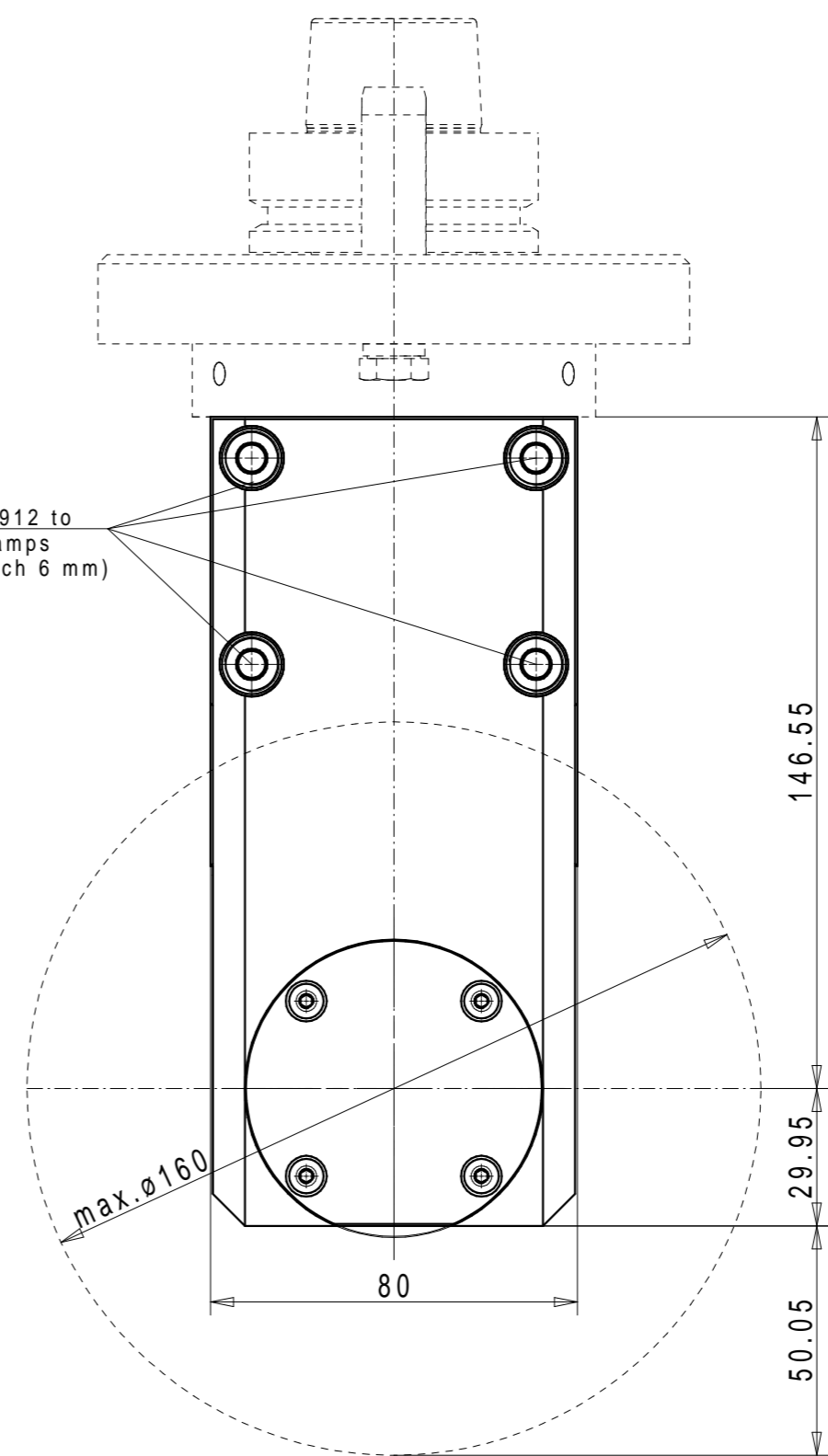


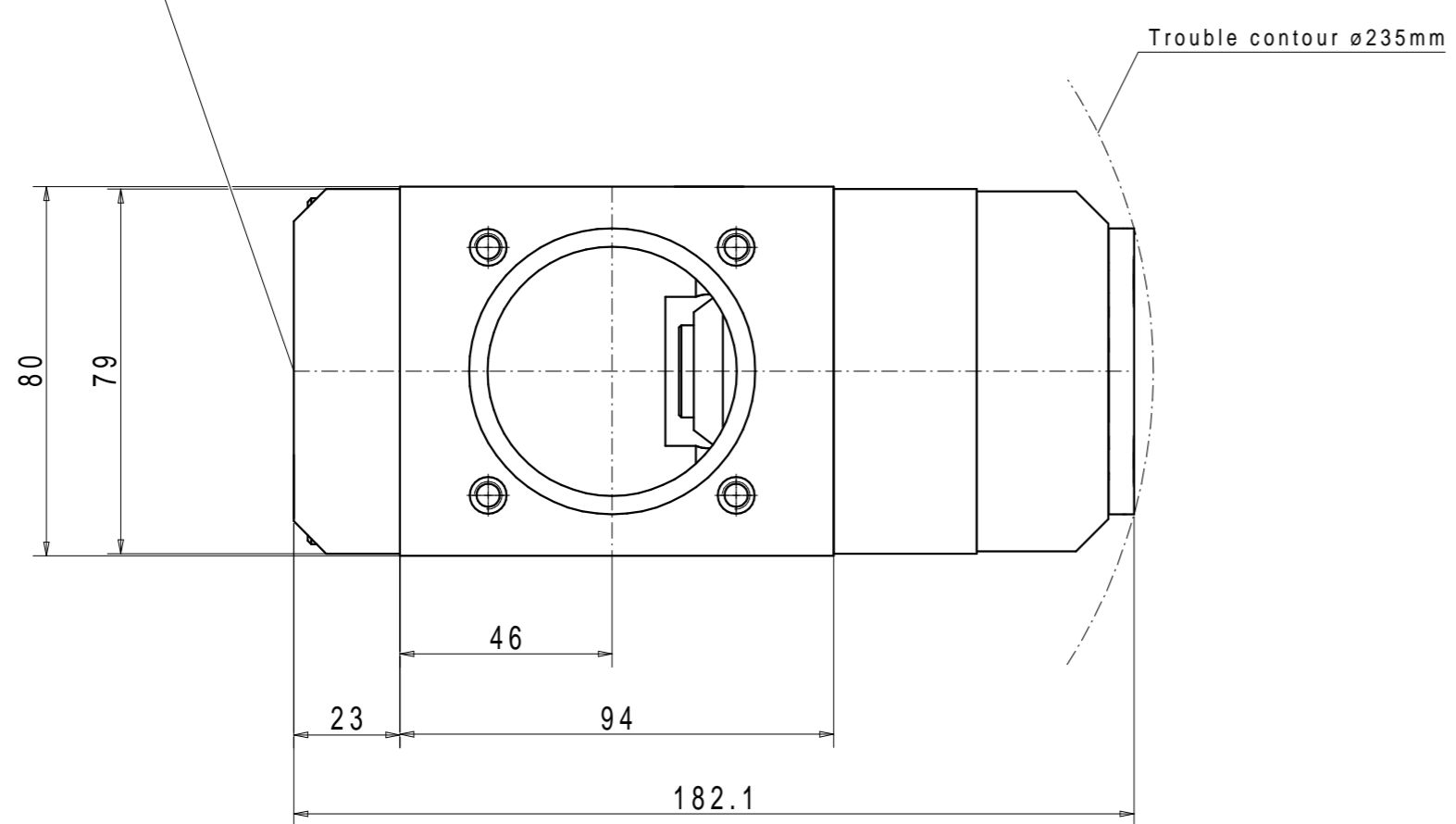
Drive adapter
 Standard configurations and
 machine specific executions upon request



4x M8x25 DIN 912 to
 Loosen and clamps
 (Hexagon wrench 6 mm)



Holder with thrust bearing to
 removed tool change



Tool receptacle

