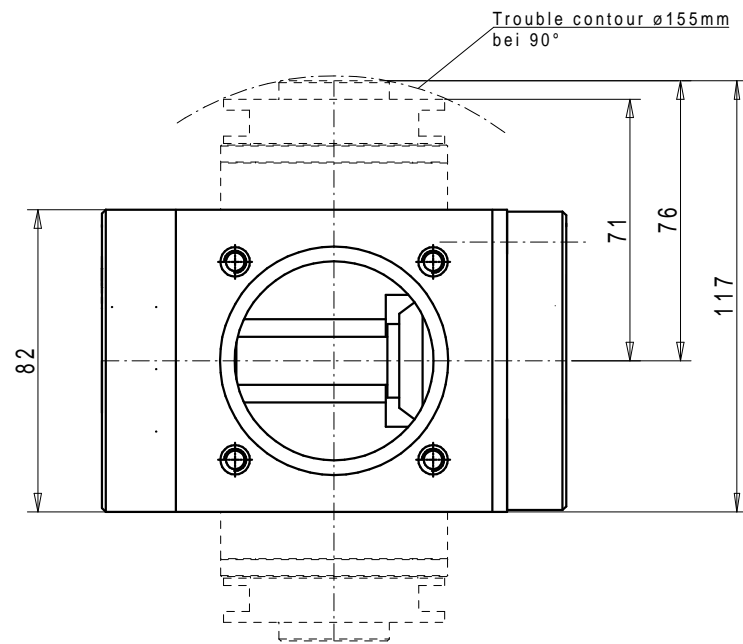
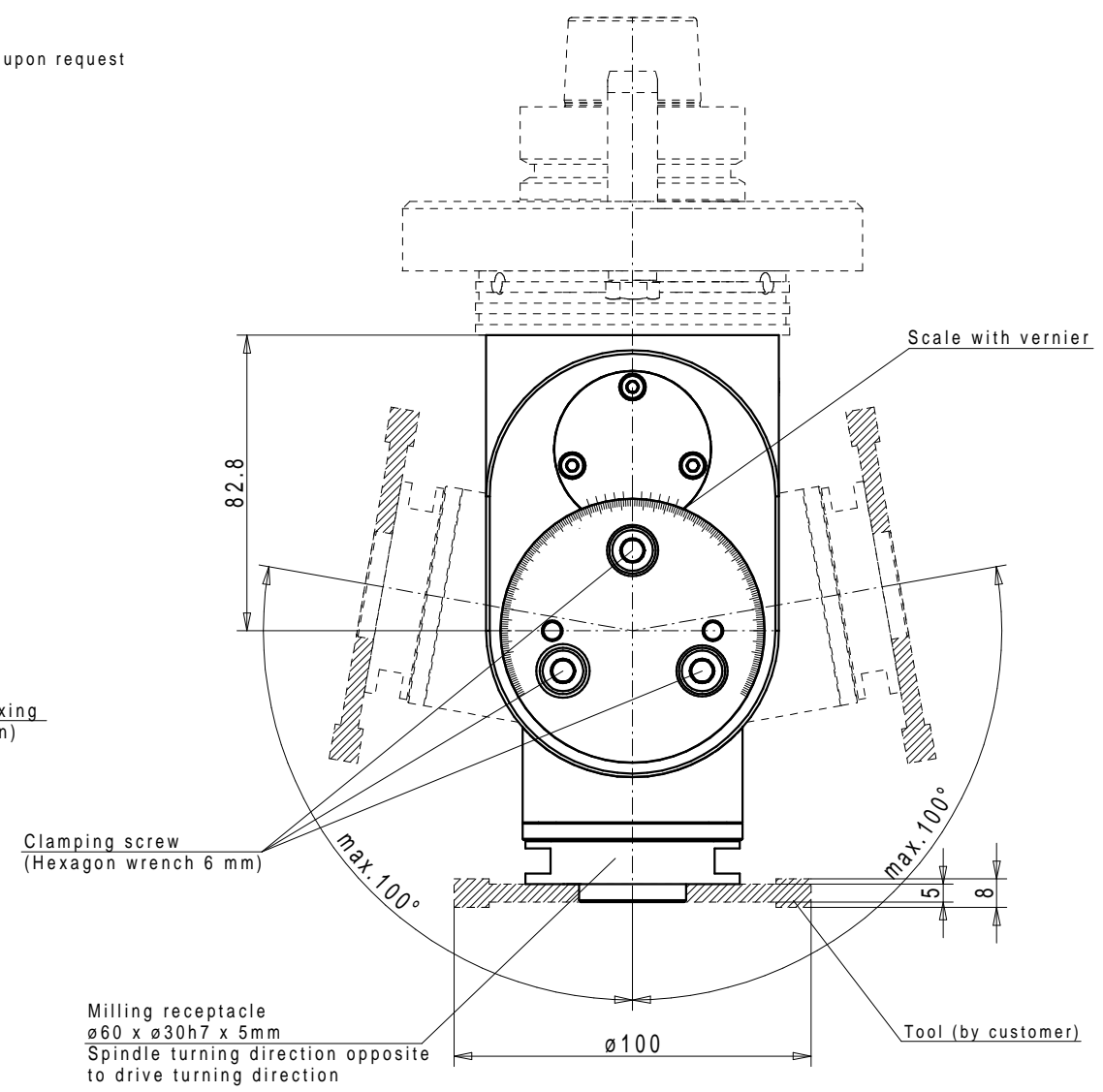
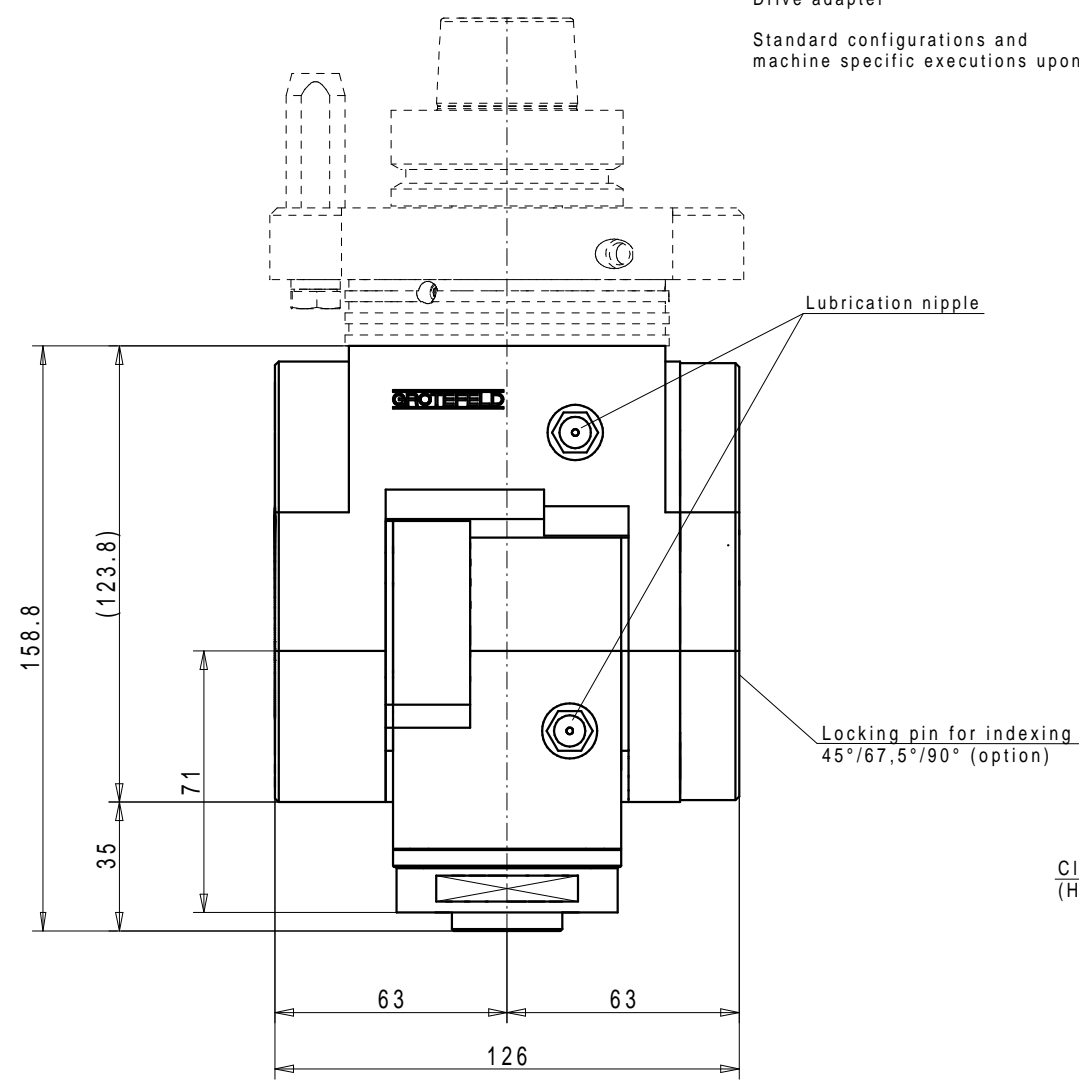


Drive adapter
 Standard configurations and
 machine specific executions upon request



Milling receptacle

