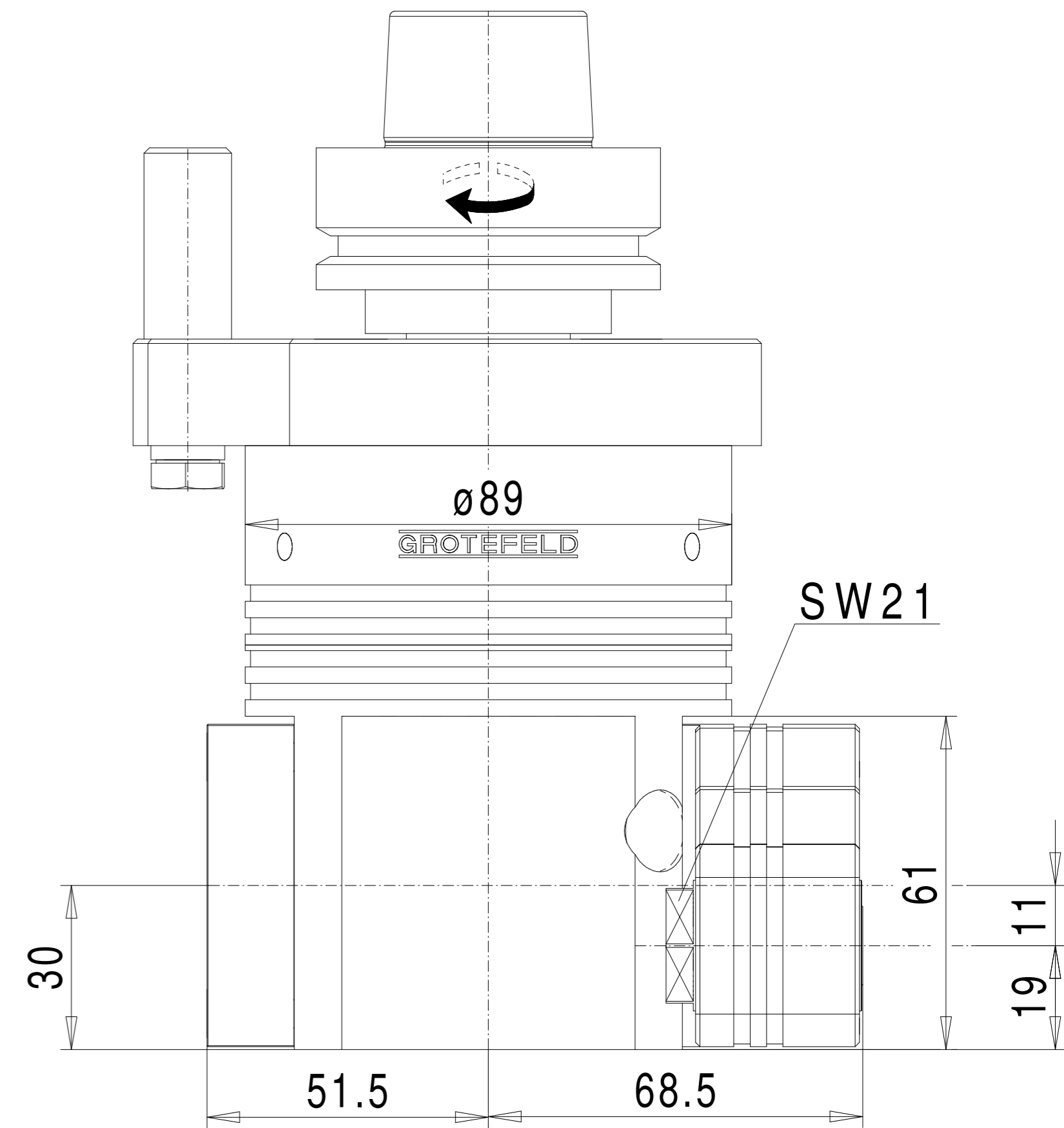
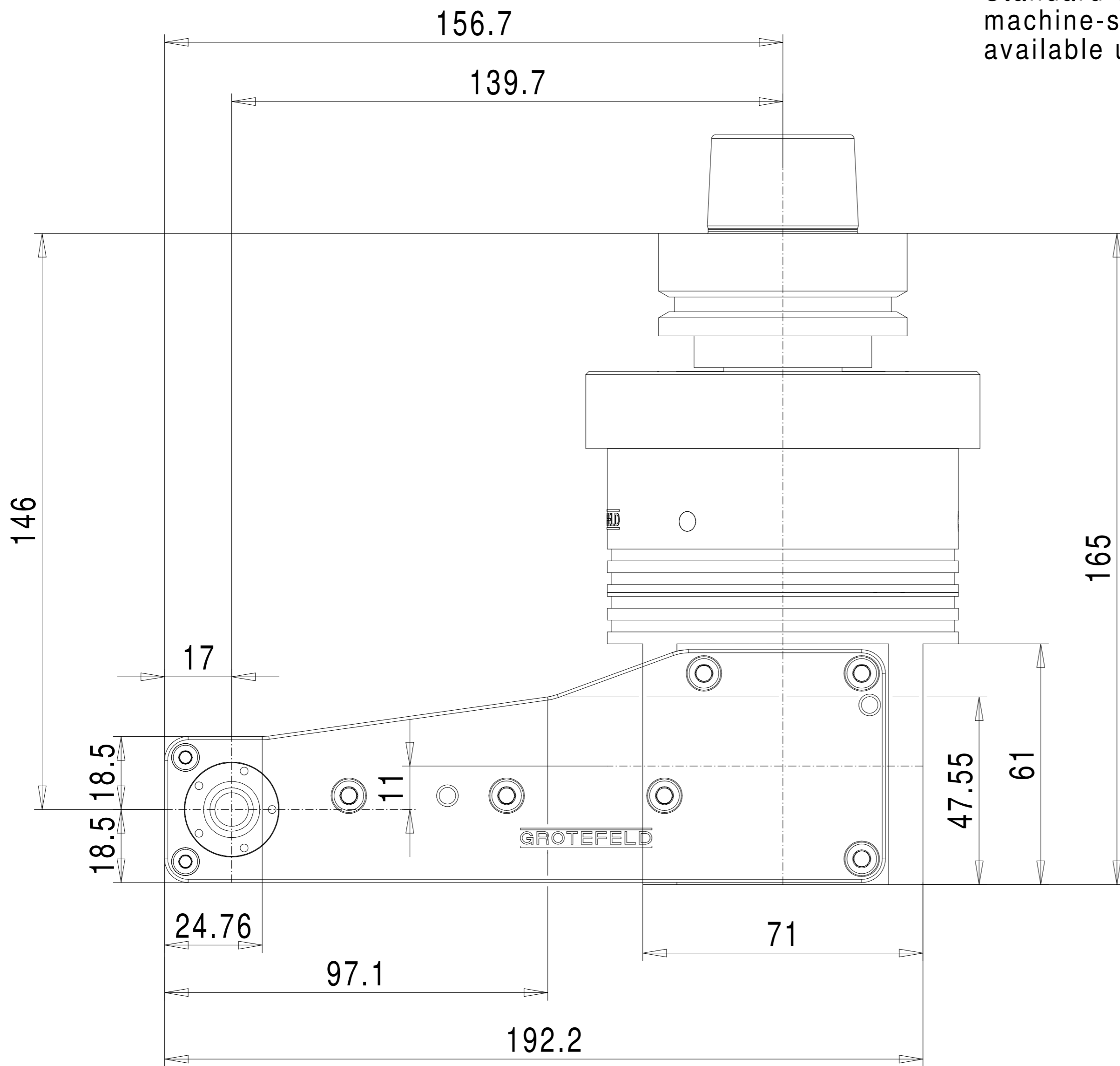
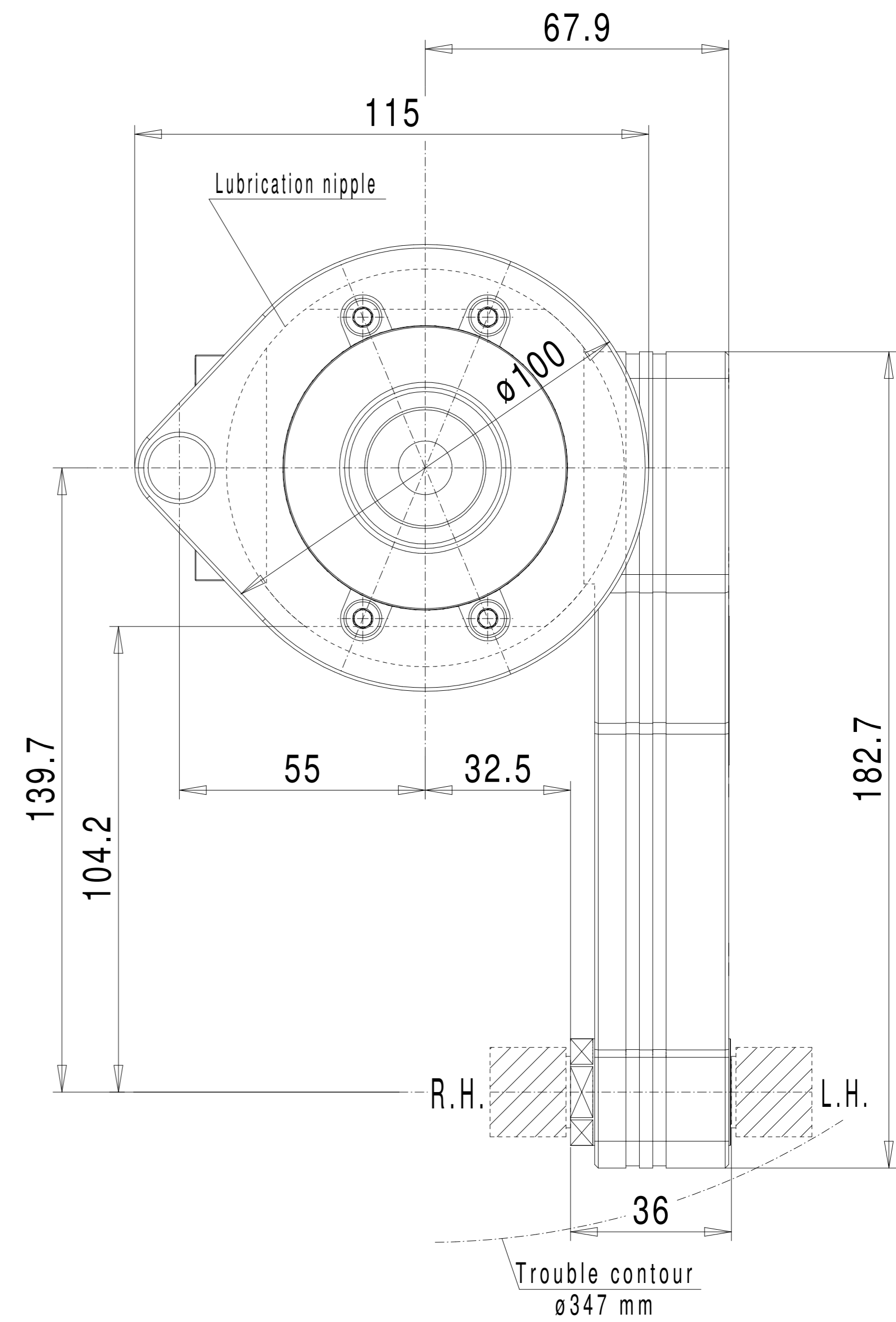
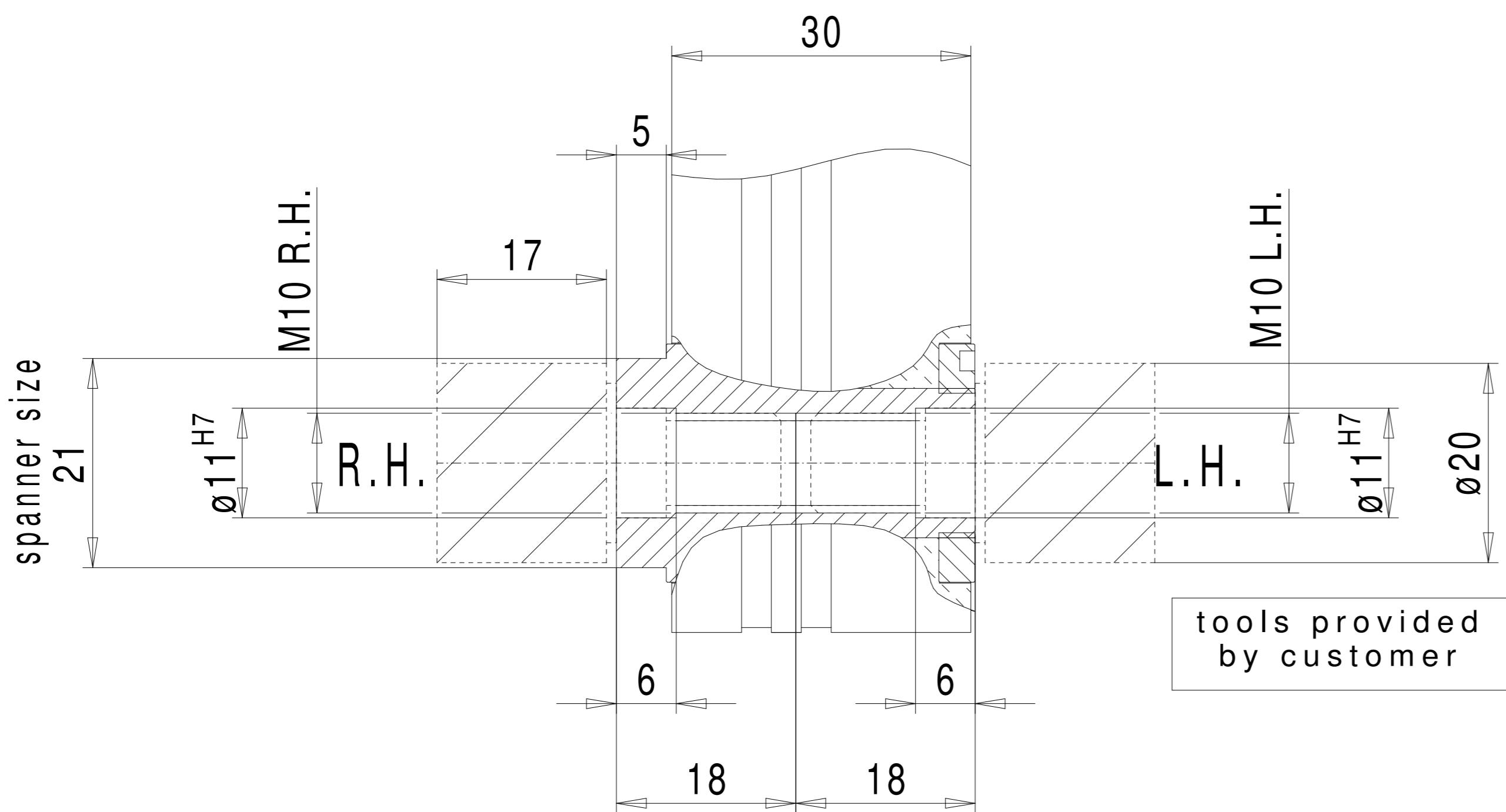


Drive adapter

Standard version and machine-specific versions available upon request



M10plan tool receptacles R.H./L.H.
M2:1



Trouble contour
 $\varnothing 347$ mm