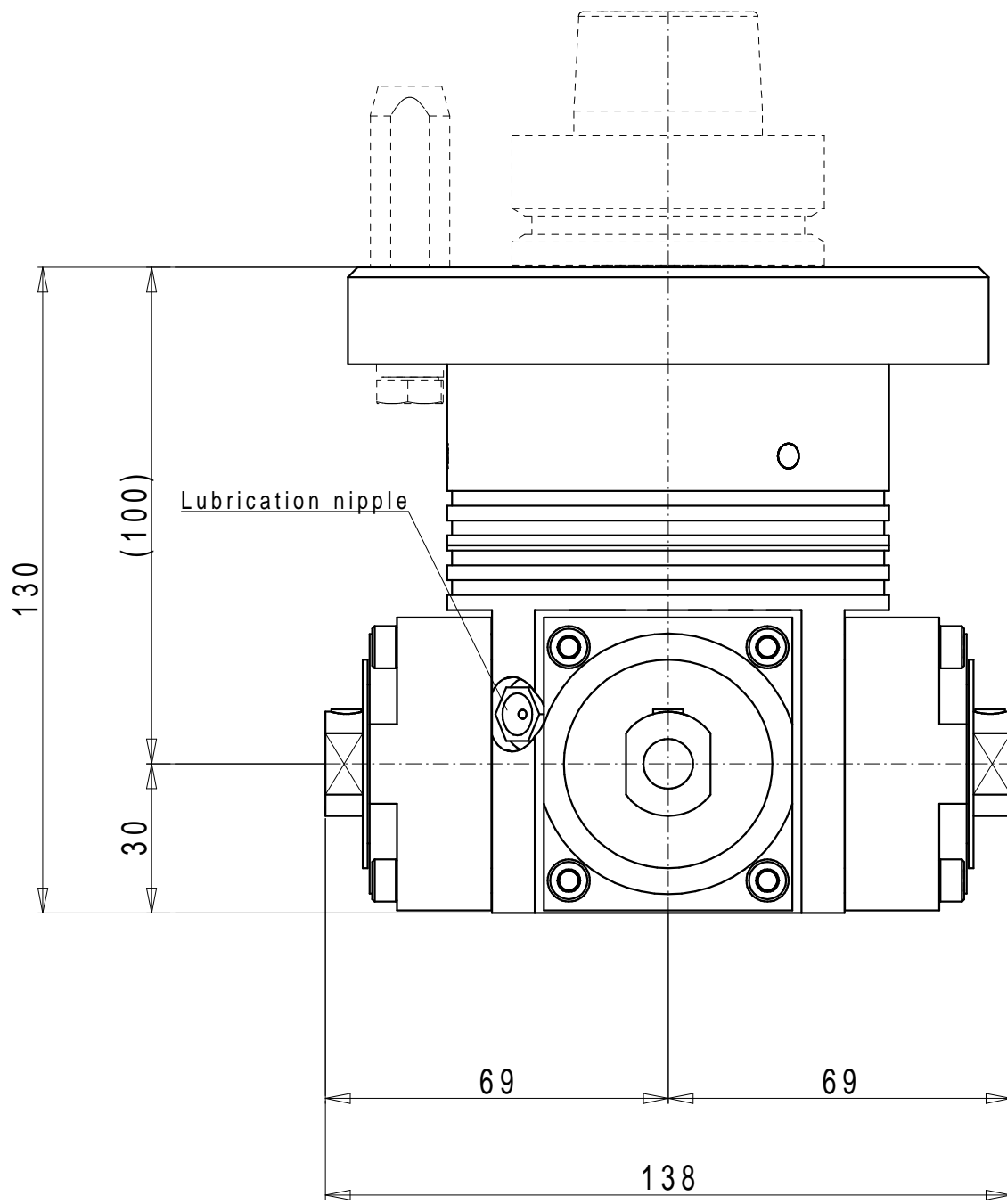


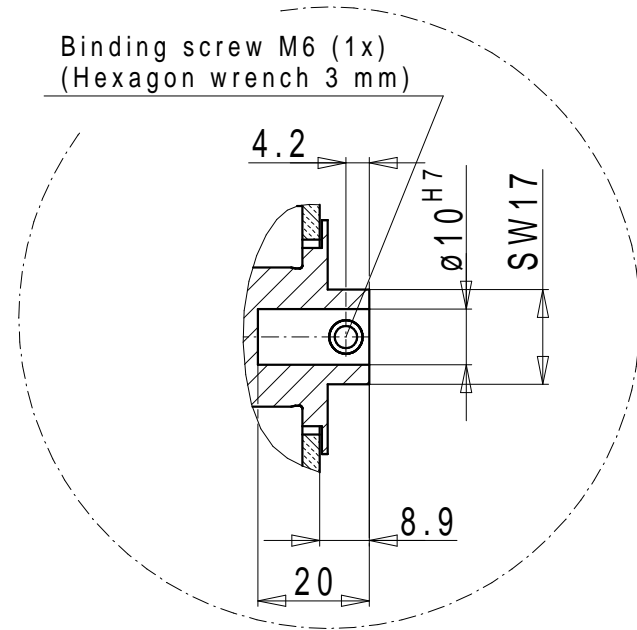
Drive adapter

Standard configurations and machine specific executions upon request



Shank receptacle  $\varnothing 10$  H7

Binding screw M6 (1x)  
(Hexagon wrench 3 mm)



Shank receptacle  $\varnothing 10$  H7  
spindle turning direction equal  
to drive turning direction

