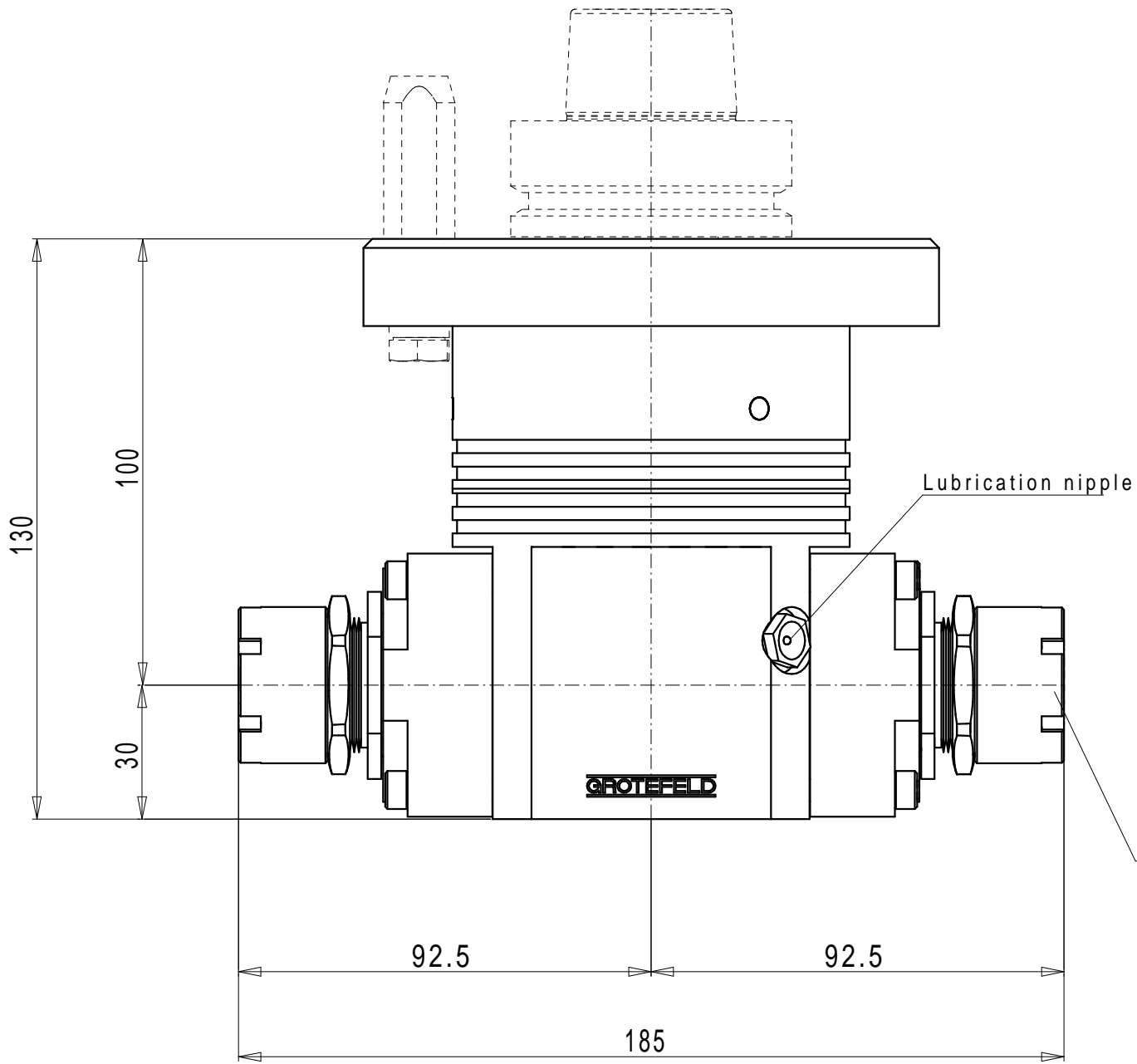
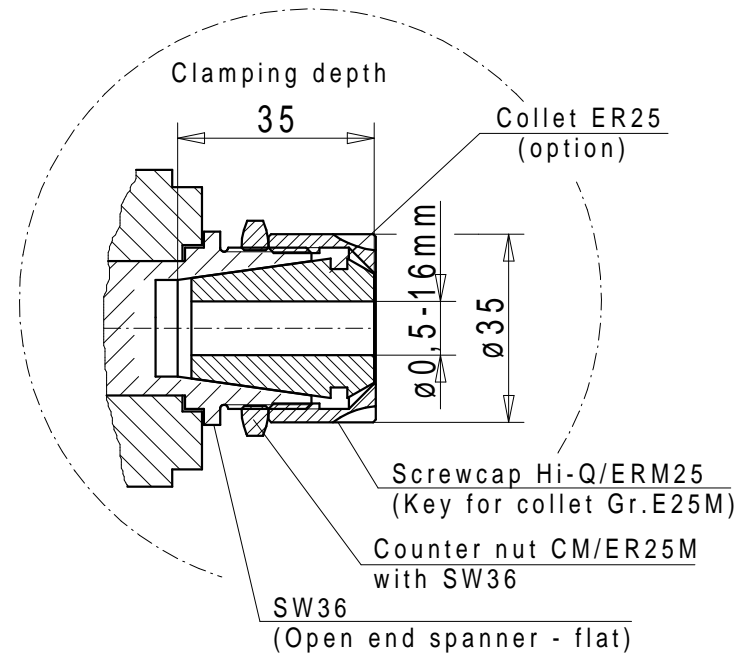


Drive adapter

Standard configurations and machine specific executions upon request



Collet receptacle
Hi-Q/ERM25



Shank receptacle Hi-Q/ERM25
spindle turning direction equal
to drive turning direction

