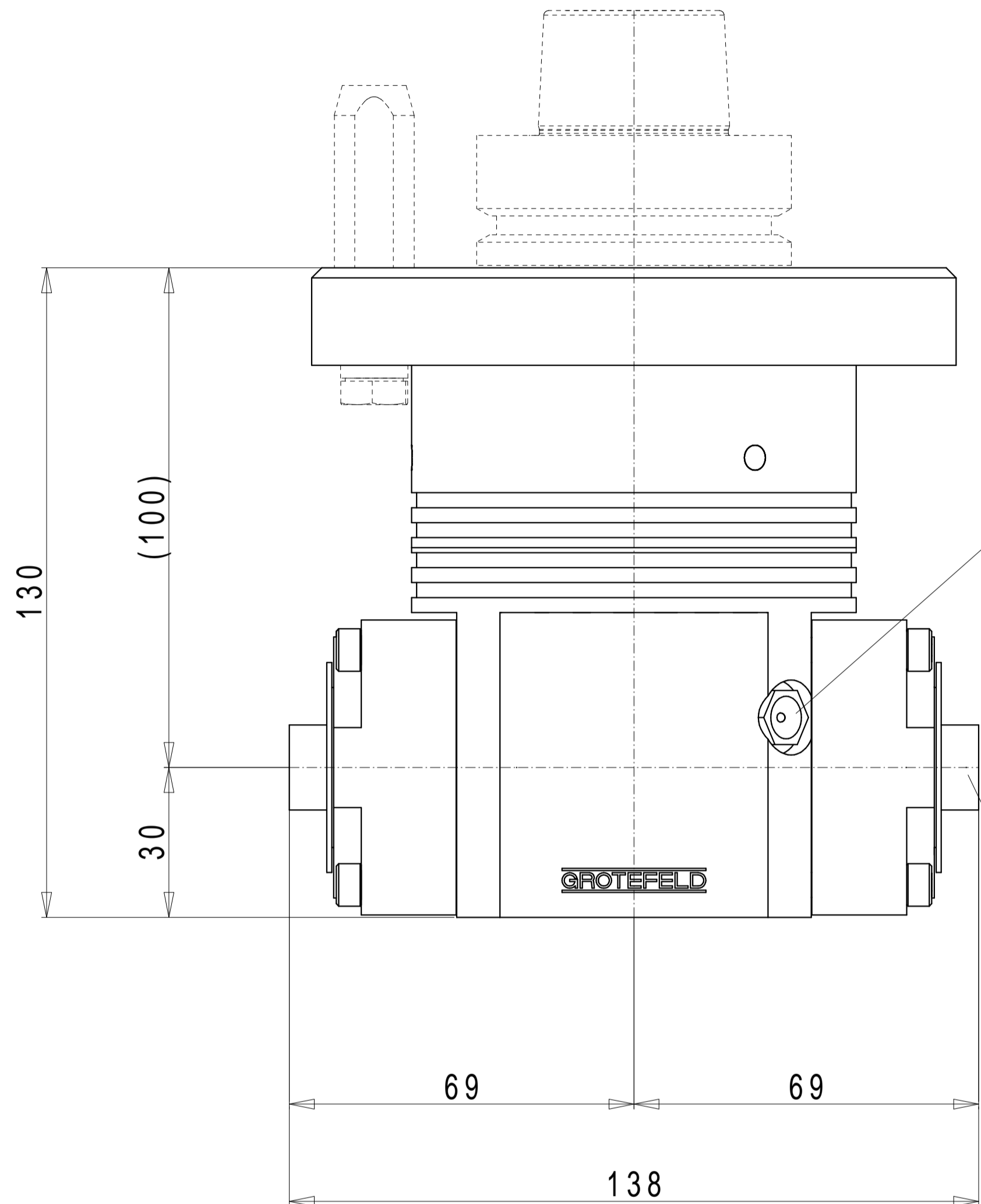


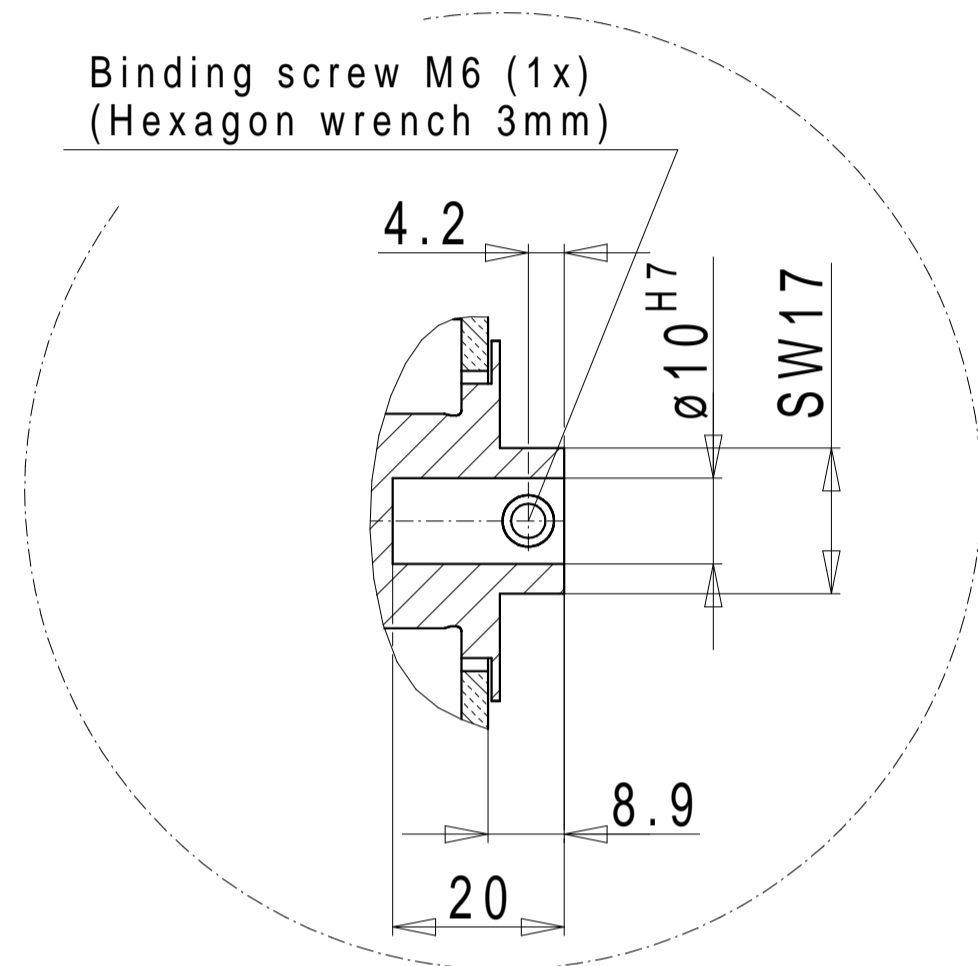
Drive adapter

Standard configurations and machine specific executions upon request



Shank receptacle $\varnothing 10$ H7

Binding screw M6 (1x)
(Hexagon wrench 3mm)



lubrication nipple

Shank receptacle $\varnothing 10$ H7
spindle turning direction equal
to drive turning direction

