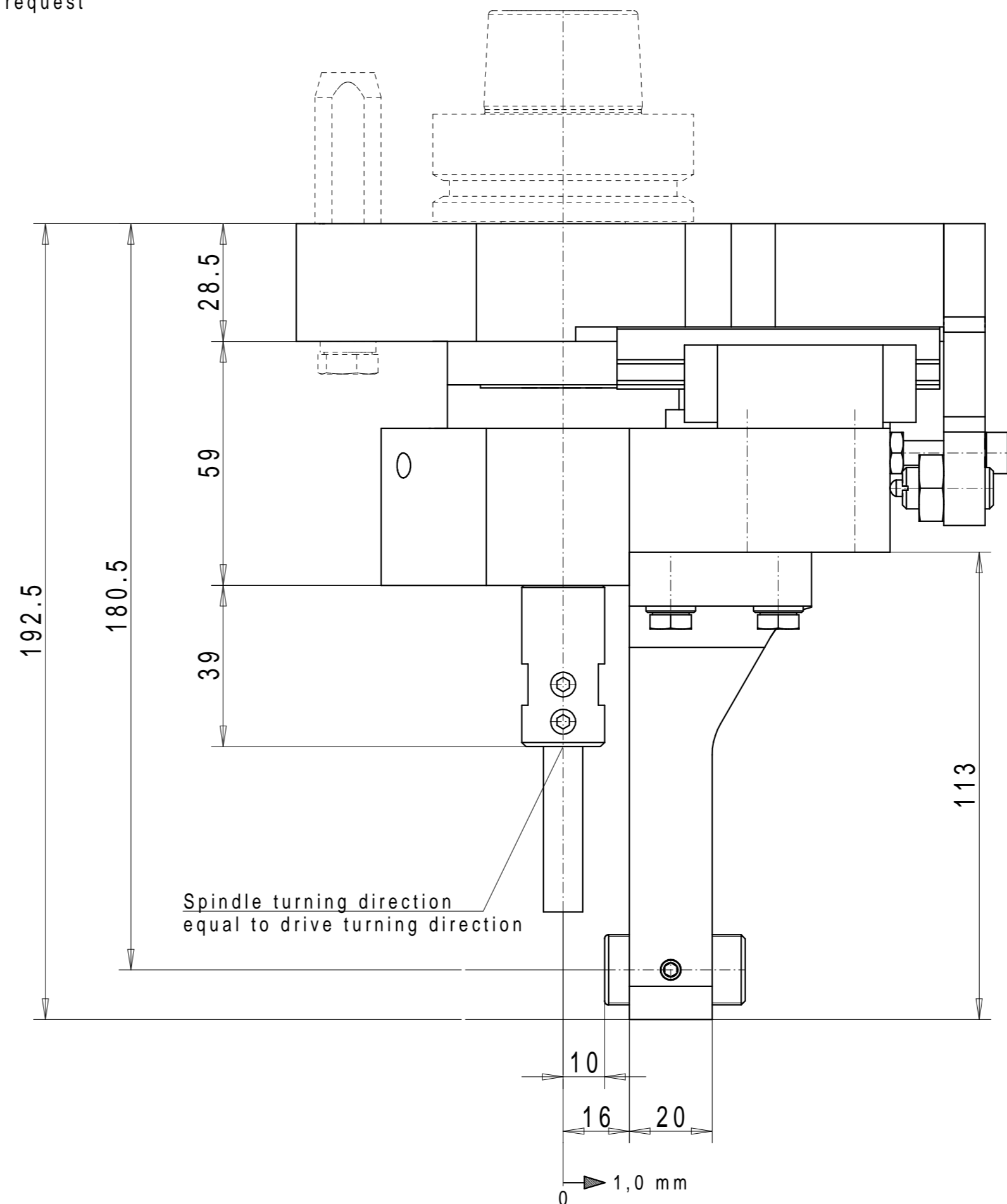
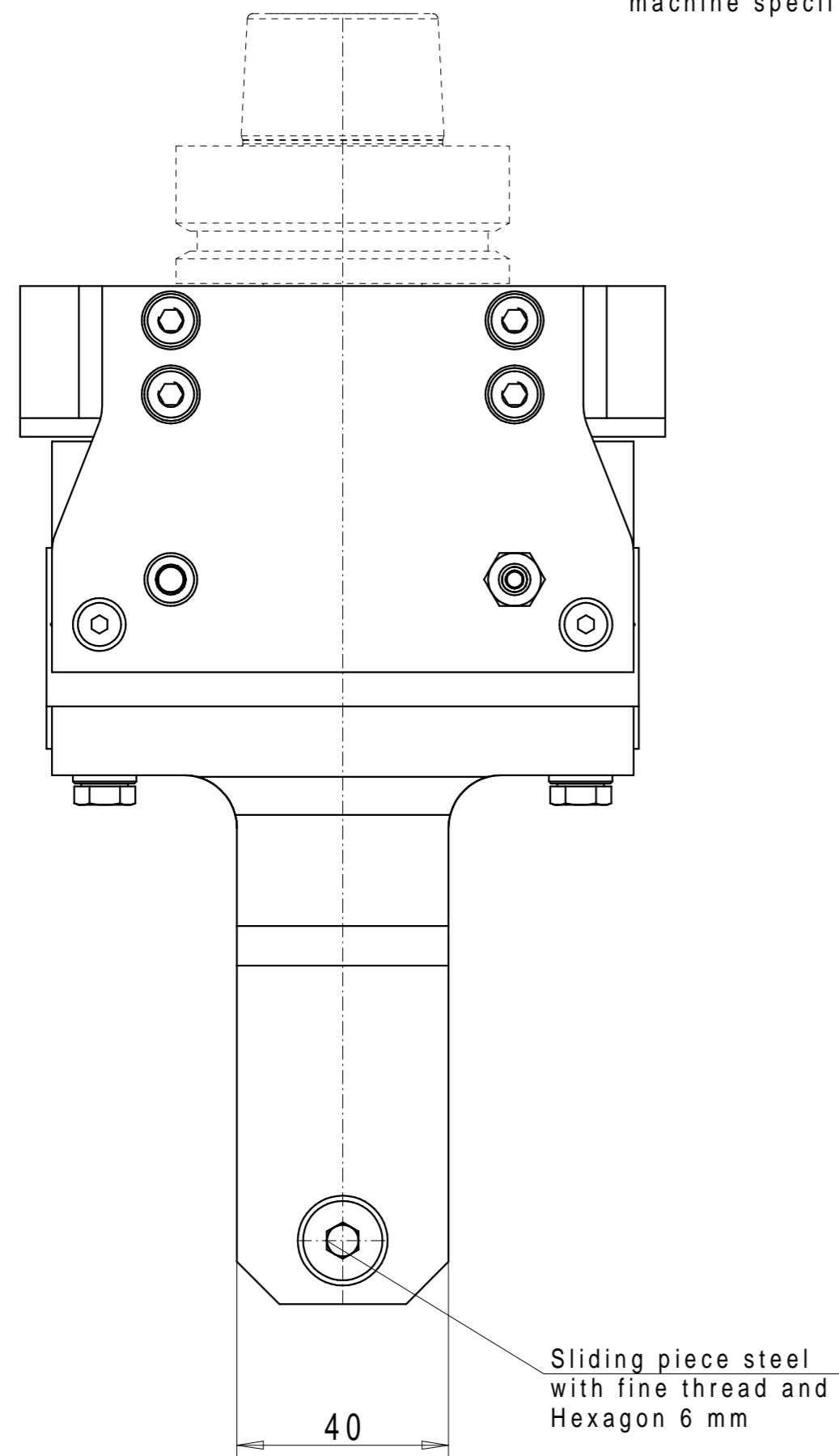


Drive adapter

Standard configurations and machine specific executions upon request



Tracing stroke horizontal

5,0 mm ← → 5,0 mm

Adjustment of the sliding piece

Shank receptacle $\varnothing 10H7$

