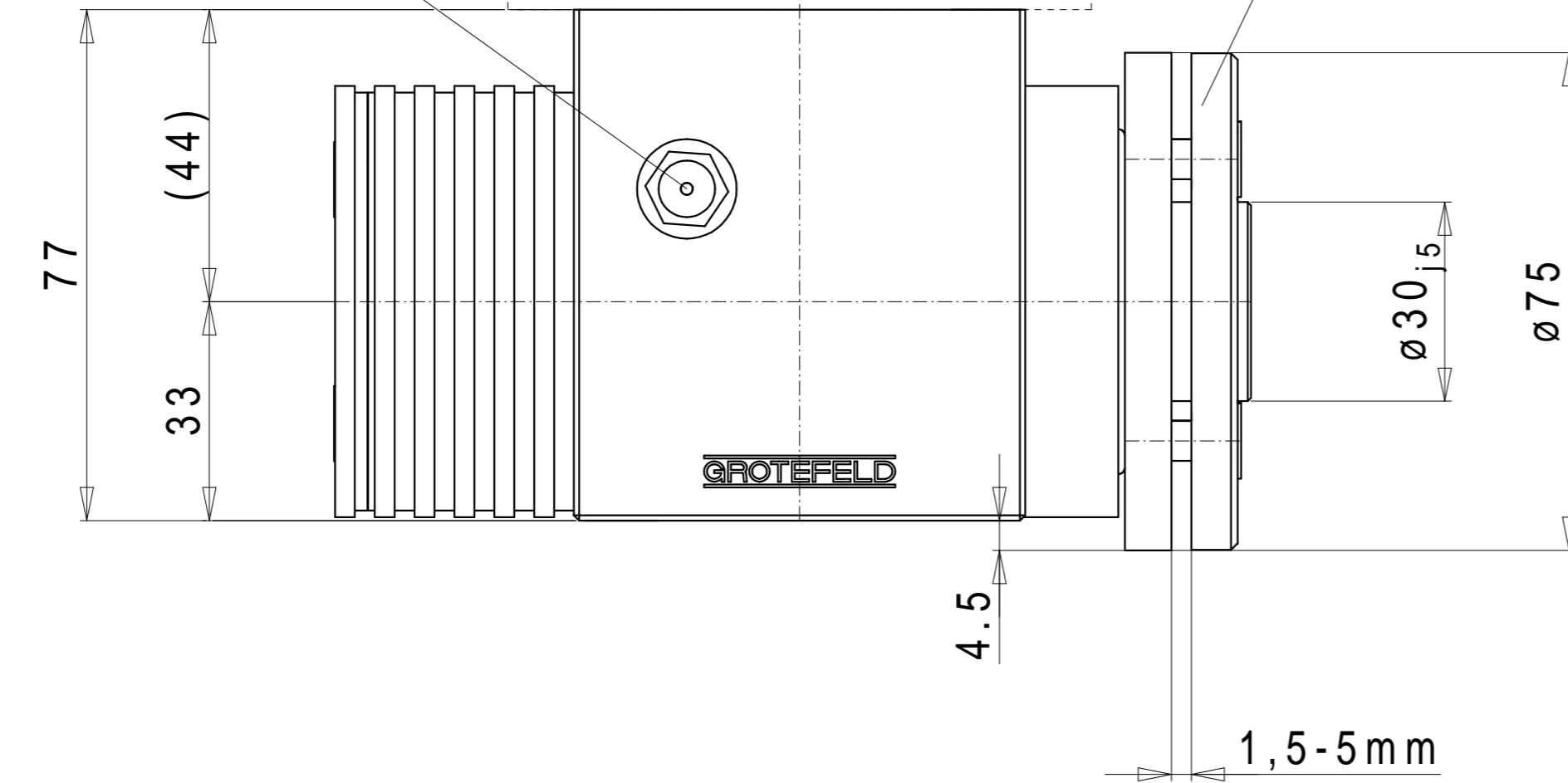


Drive adapter

Standard configurations and machine specific executions upon request

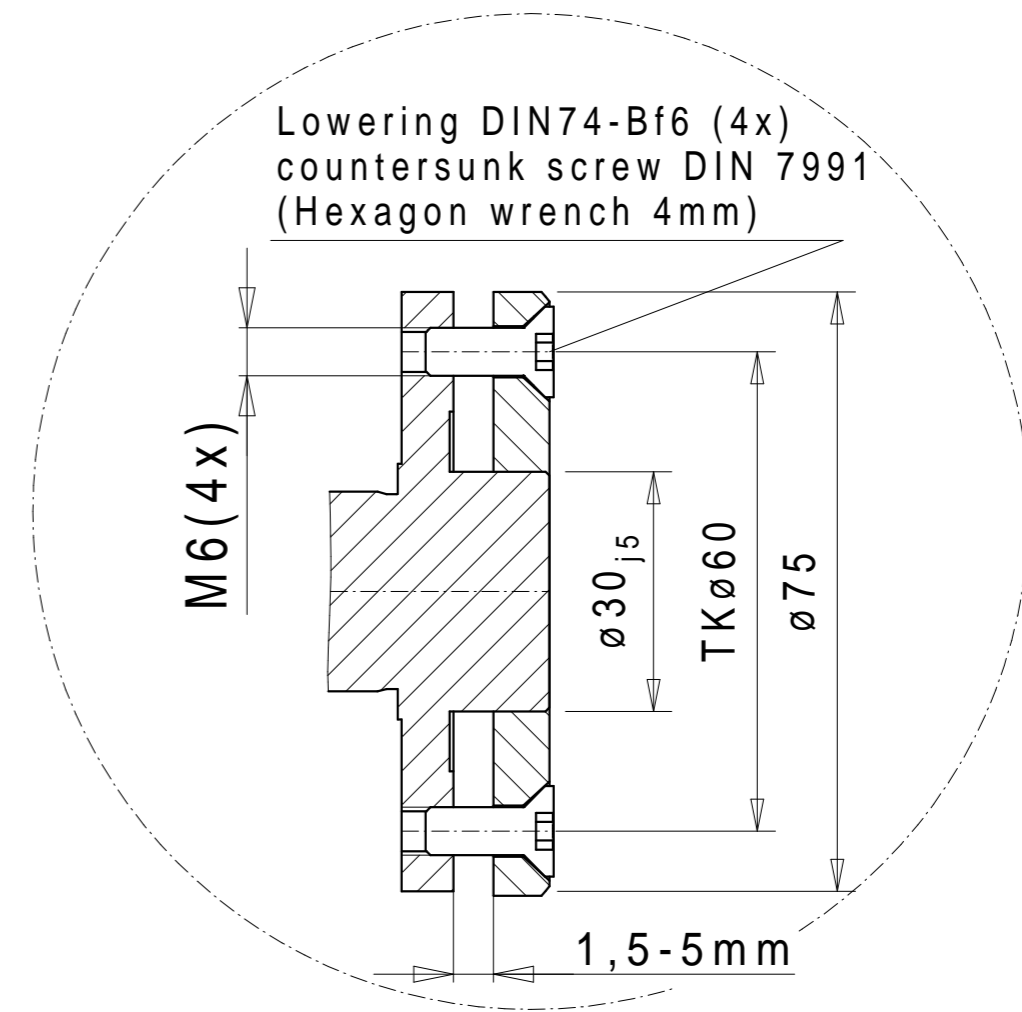
lubrication nipple

spindle rotation opposite to drive turning direction



Sawing receptacle

Lowering DIN74-Bf6 (4x) countersunk screw DIN 7991 (Hexagon wrench 4mm)



trouble contour $\varnothing 155$ mm

