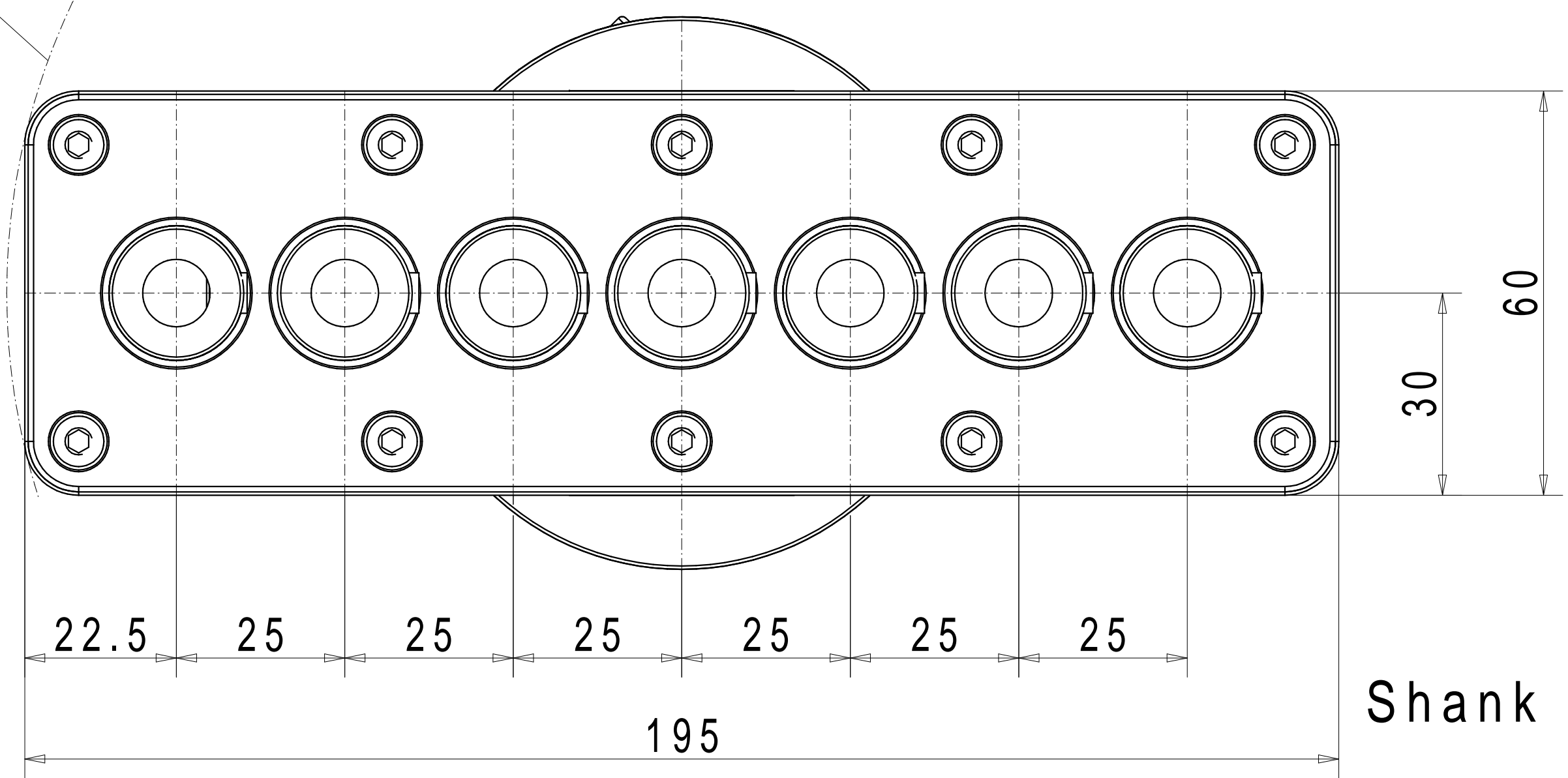
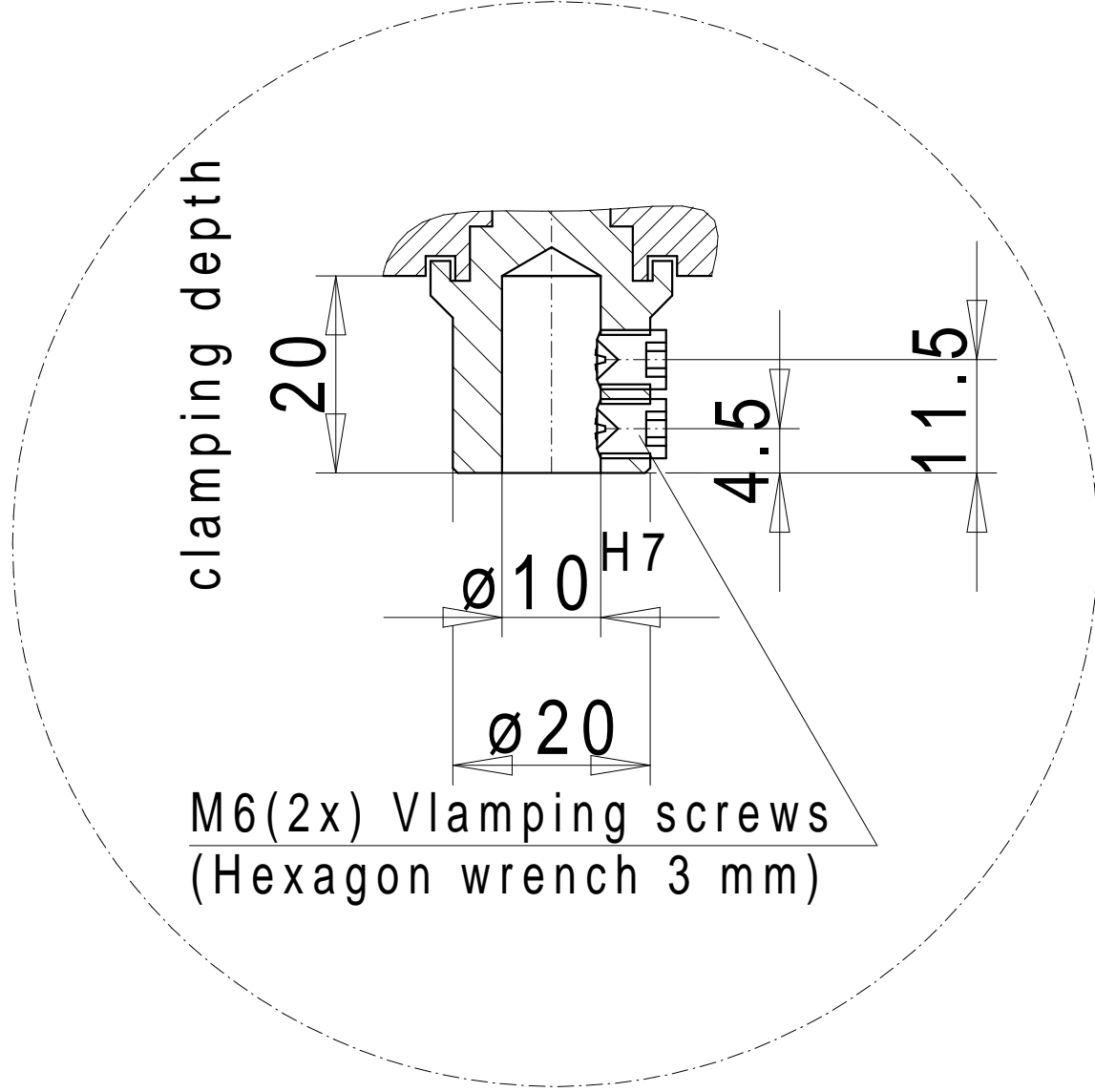
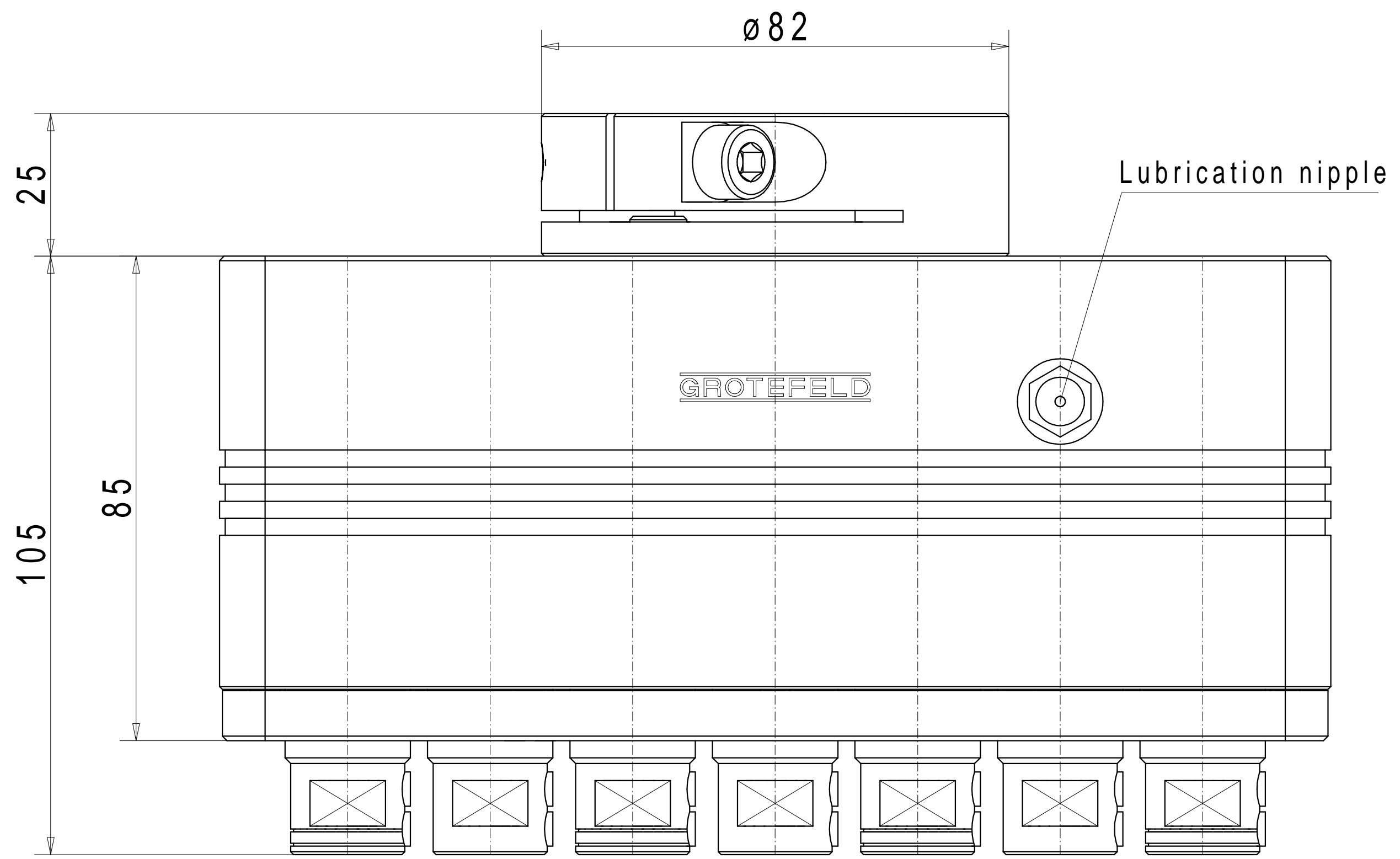


Troublecontour ø200,5mm



Shank receptacle ø10H7 R.H./L.H.



M6(2x) Clamping screws  
(Hexagon wrench 3 mm)