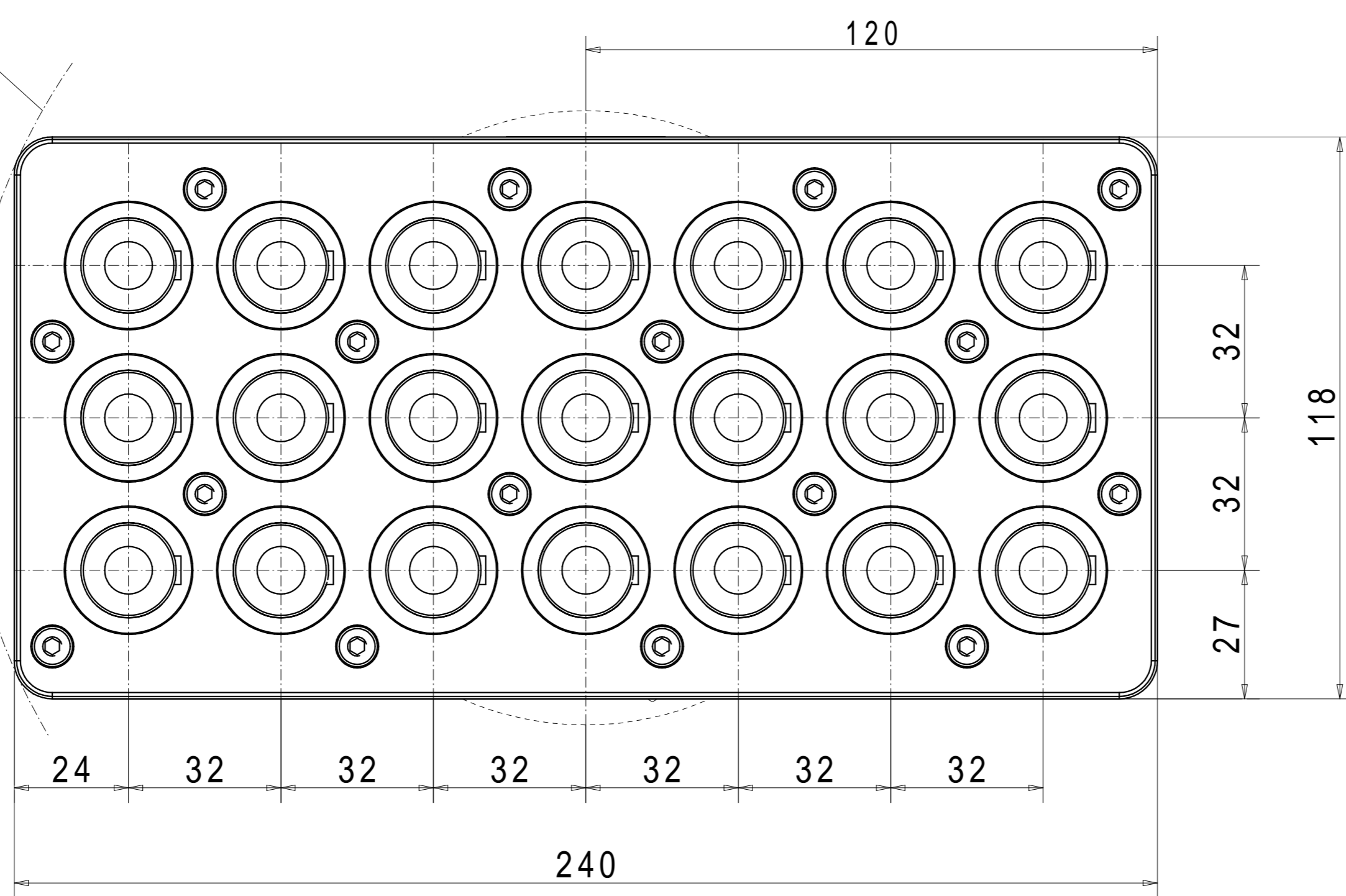


Trouble contour $\varnothing 248,5\text{mm}$



Shank receptacle $\varnothing 10\text{H7}$ R.H./L.H.

Drive adapter

Standard configurations and machine specific executions upon request

Lubrication nipple

