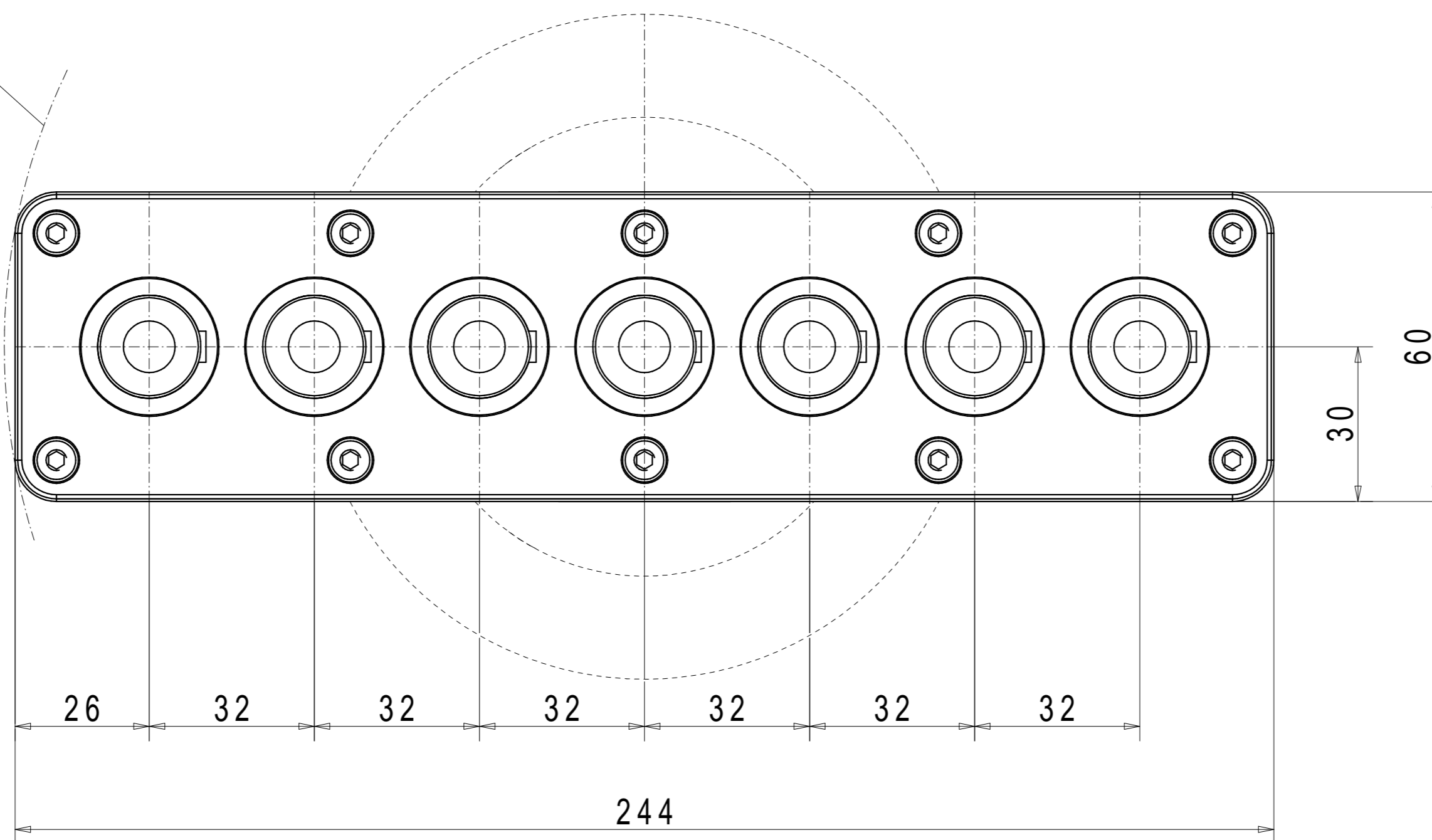


Trouble contour ø248,5mm



Shank receptacle ø10H7 RE/LI

Drive adapter

Standard configurations and machine specific executions upon request

