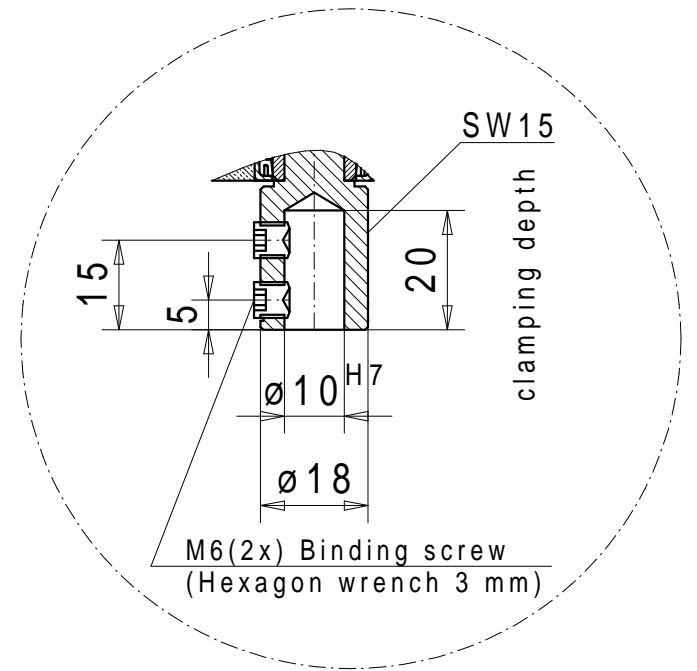


Shank receptacle $\varnothing 10H7$ R.H./L.H.



Drive adapter

Standard configurations and machine specific executions upon request

