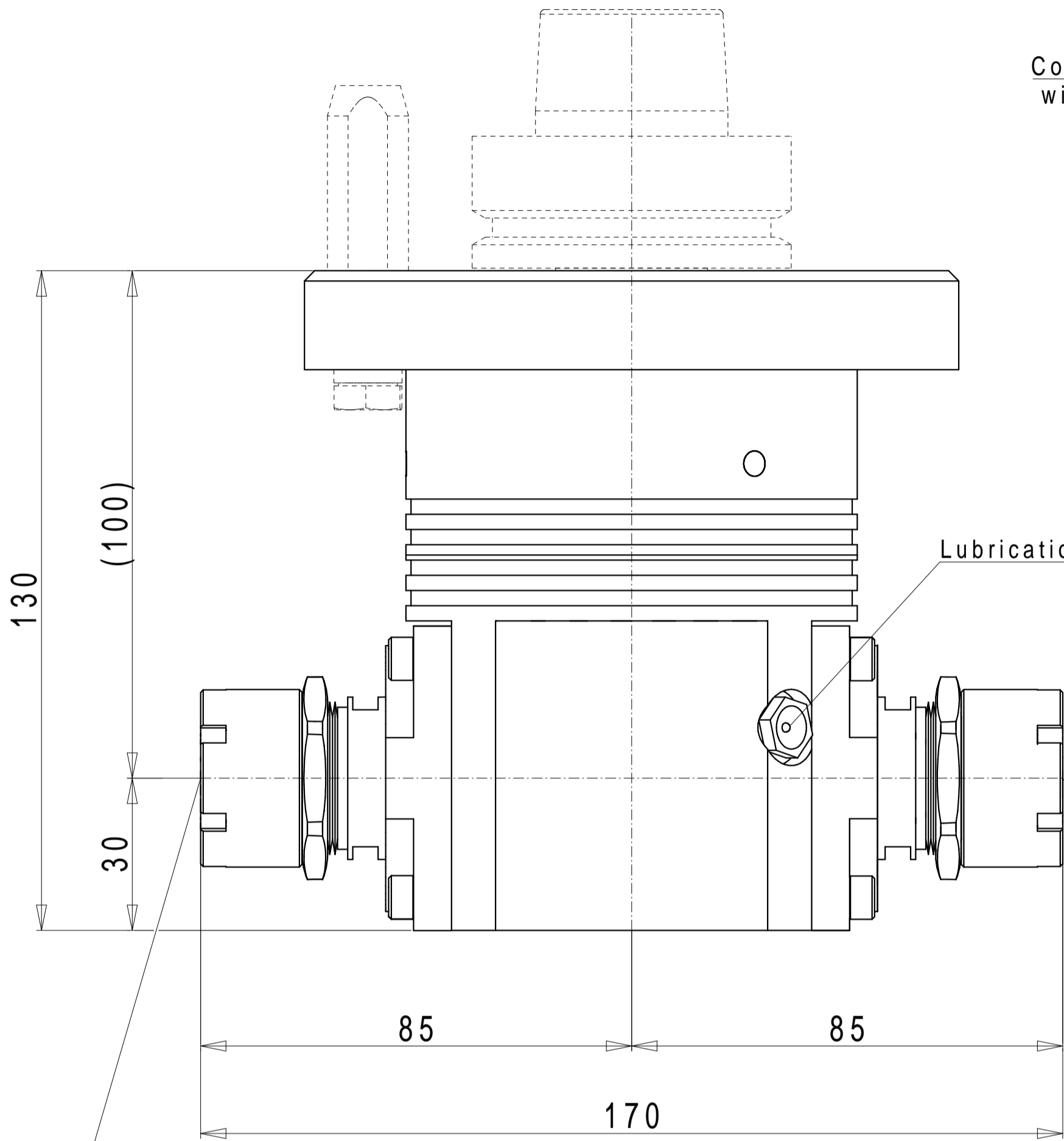


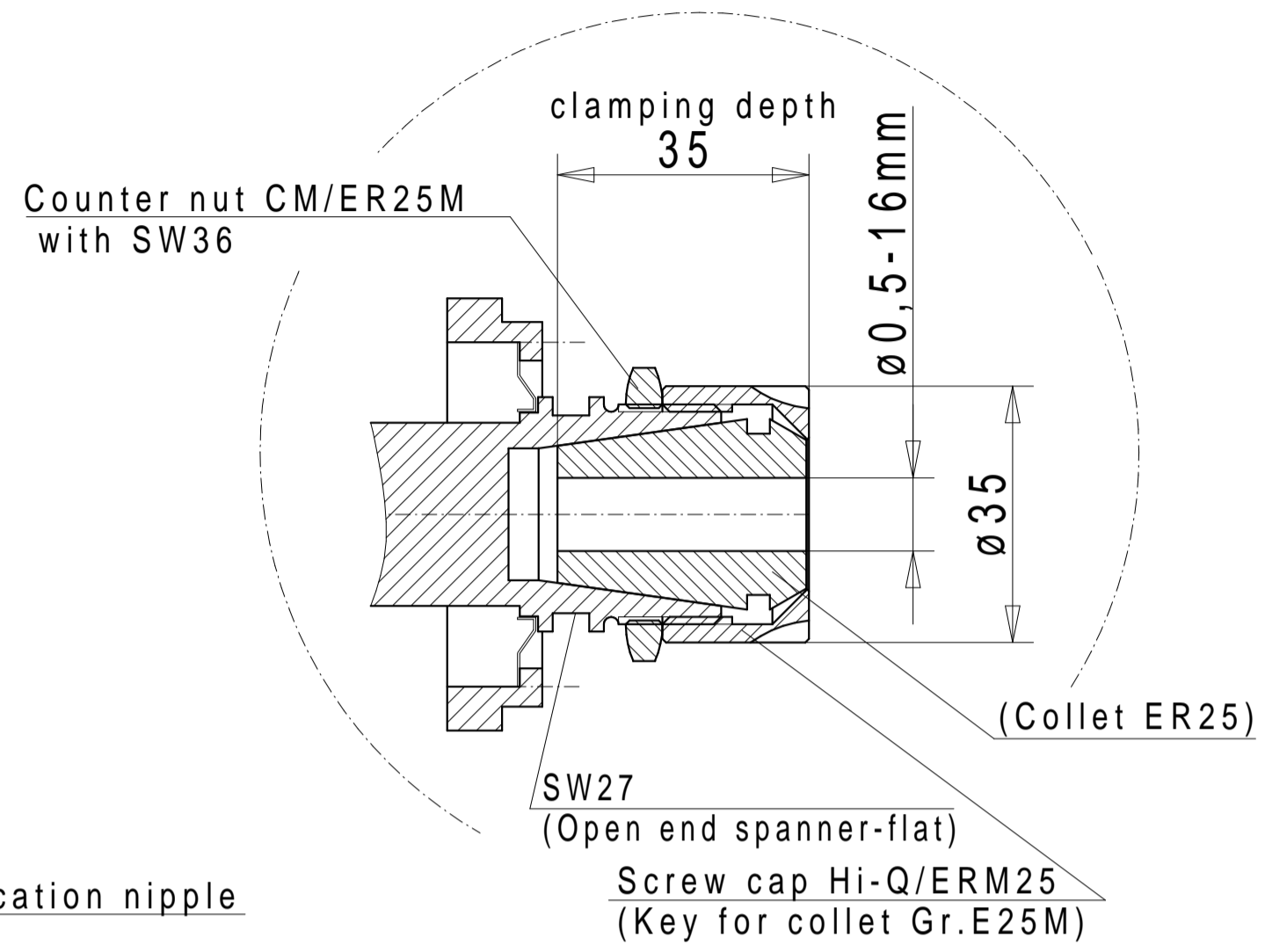
Drive adapter

Standard configurations and machine specific executions upon request

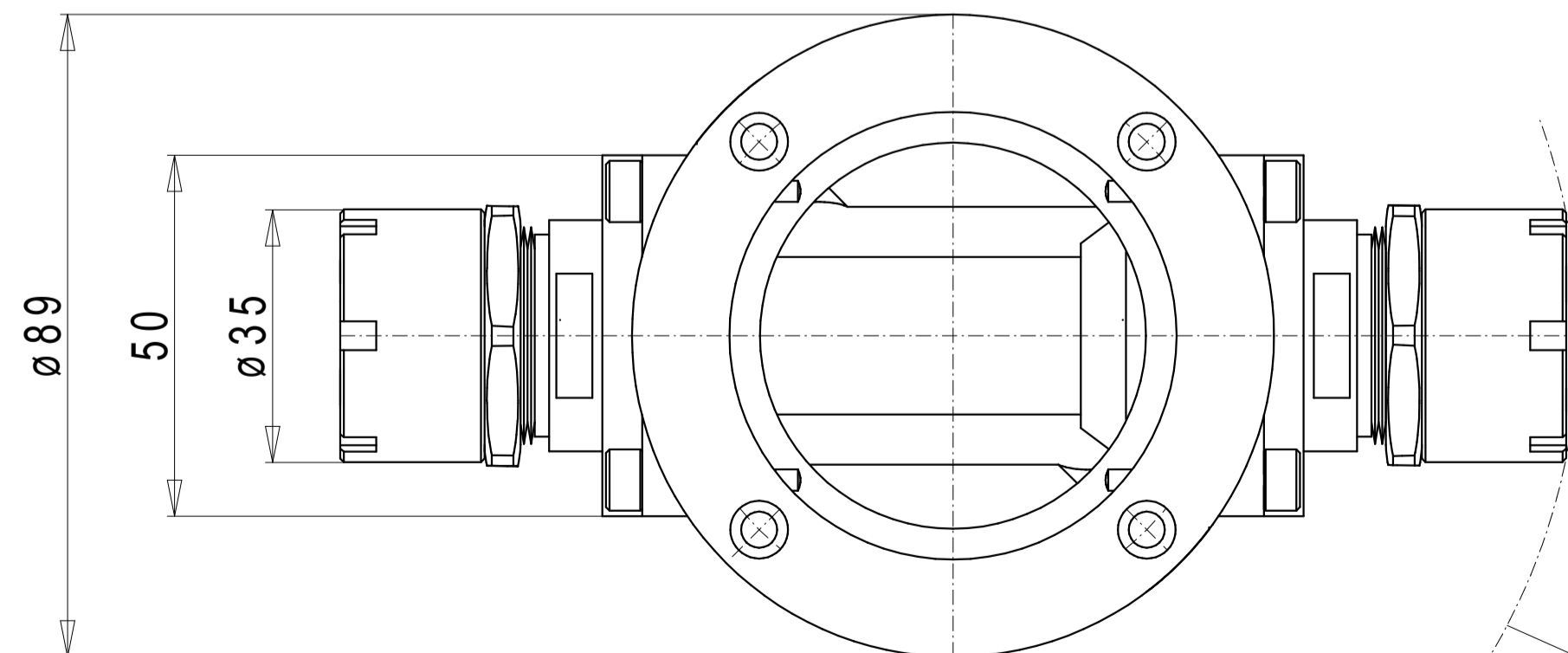
Collet receptacle Hi-Q/ERM25



Collet receptacle Hi-Q/ERM 25
spindle turning direction opposite
drive turning direction



Collet receptacle Hi-Q/ERM 25
spindle turning direction equal
drive turning direction



Trouble contour $\varnothing 174\text{mm}$