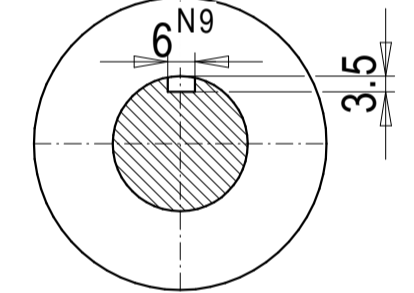
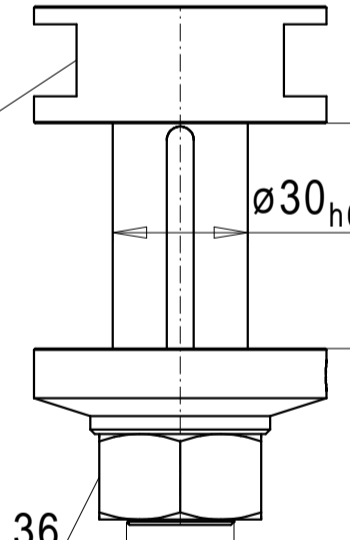


Tool receptacle

View B-B



Spanner size 46

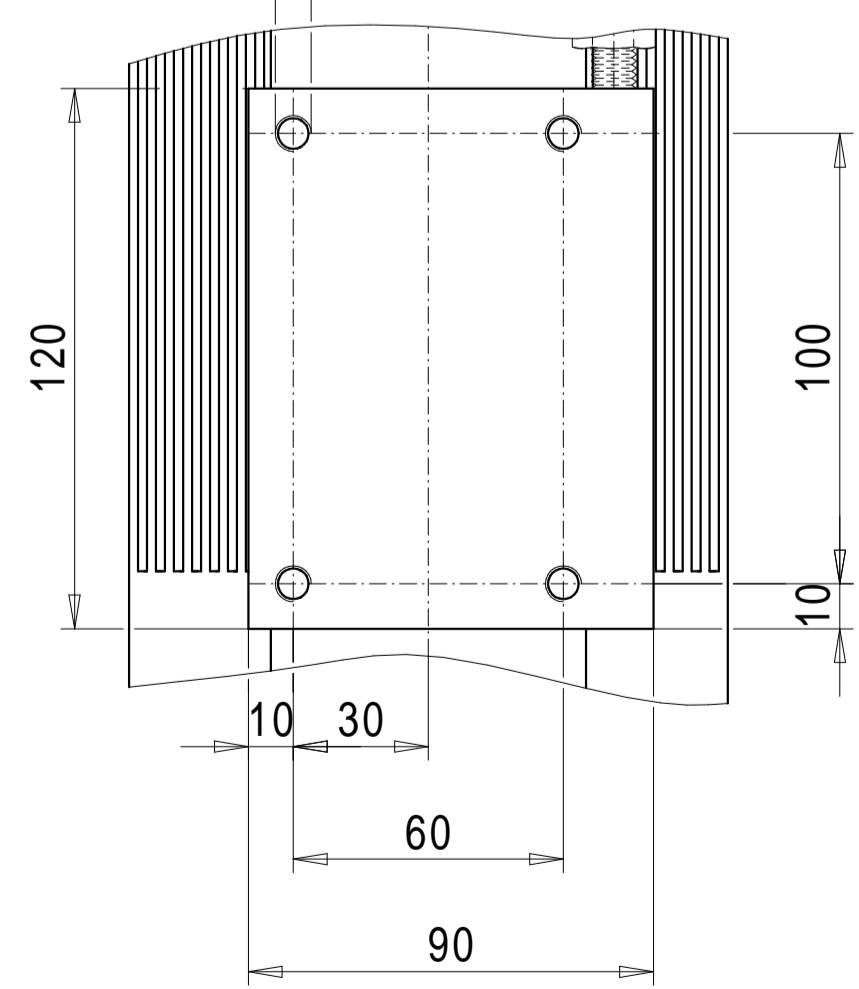


B

B

Spanner size 36

View A-A
Clamping piece
M8; 16tief (4x)



764

374.8

282.3

A

A

$\varnothing 70$

$\varnothing 30_{h6}$