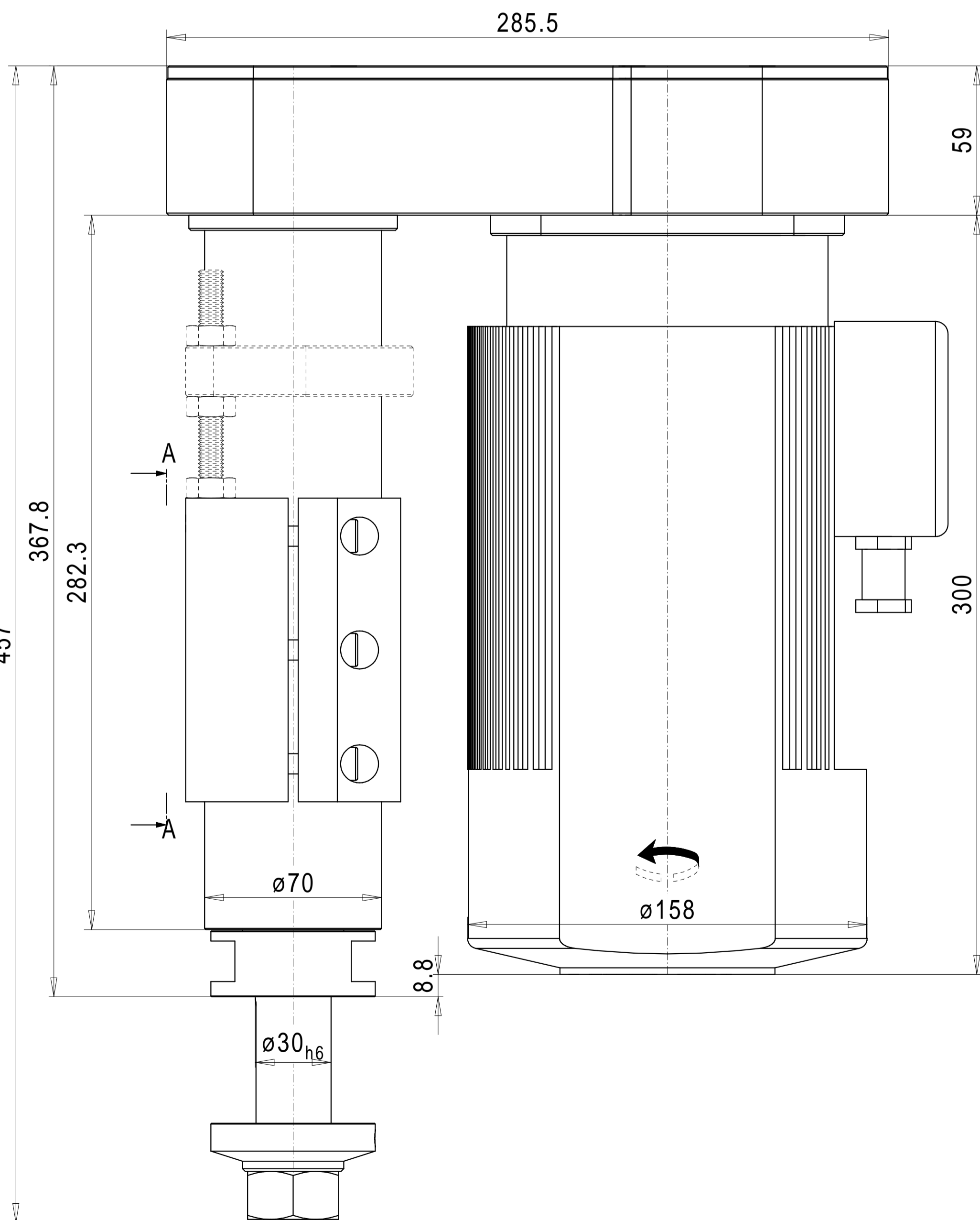
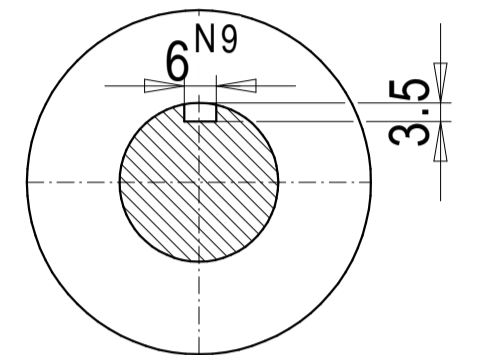
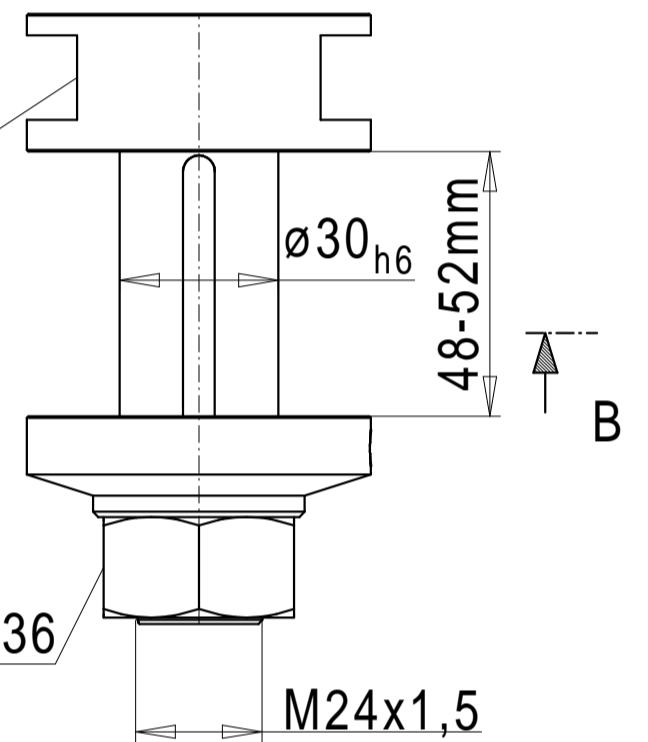


Tool receptacle

View B-B



Spanner size 46



Spanner size 36

View A-A  
Clamping piece

M8; 16tief (4x)

