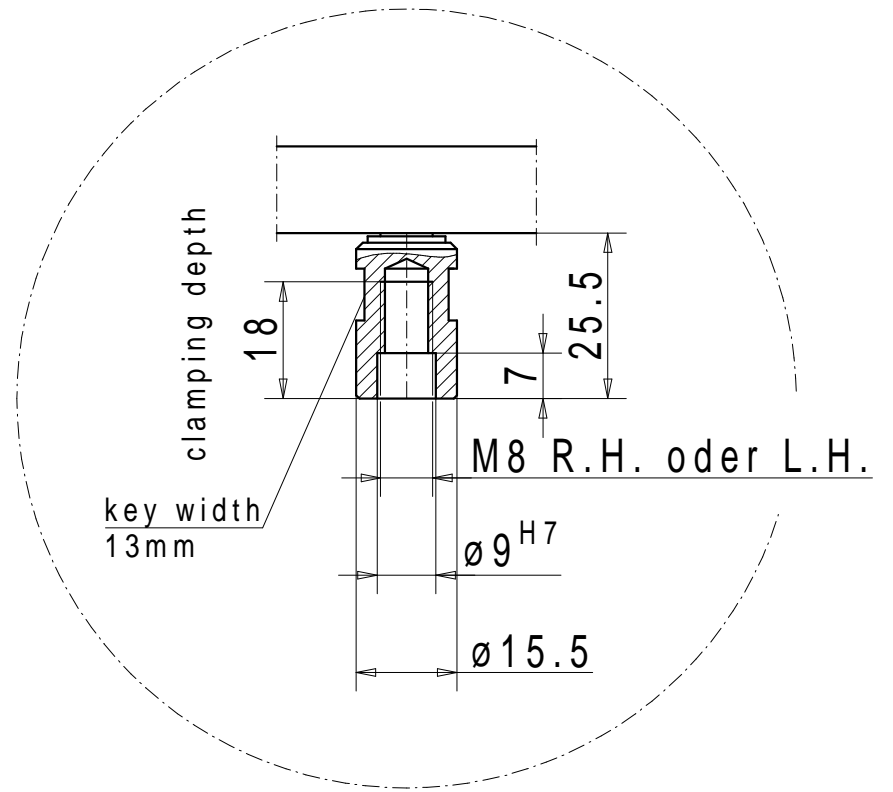
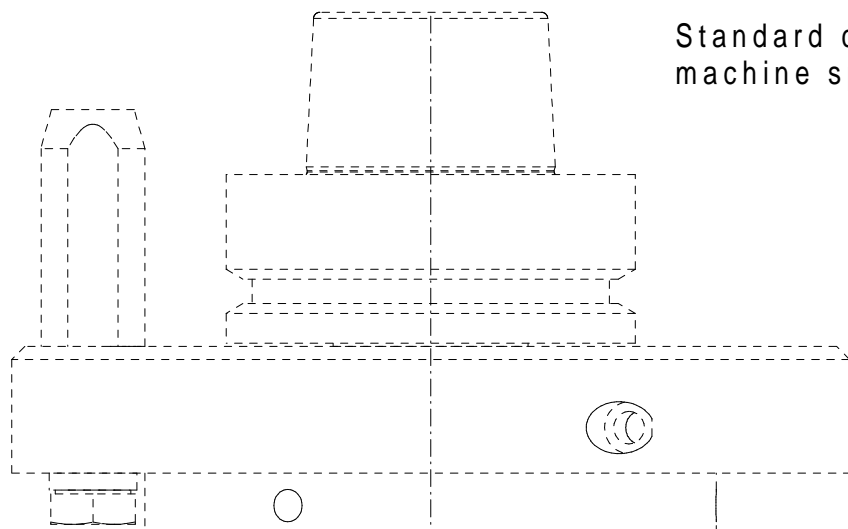


Tool receptacle M08 plane R.H./L.H.



Drive adapter

Standard configurations and
machine specific executions upon request



Lubrication nipple

