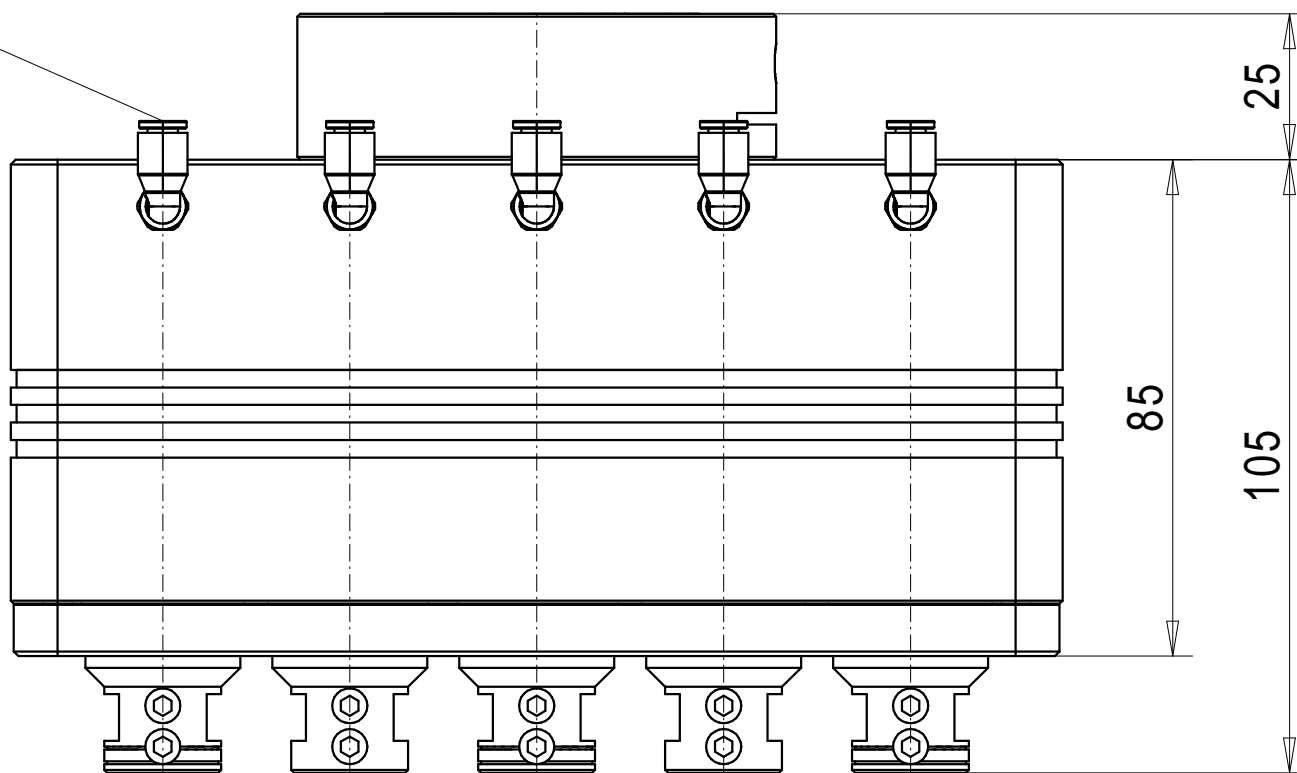
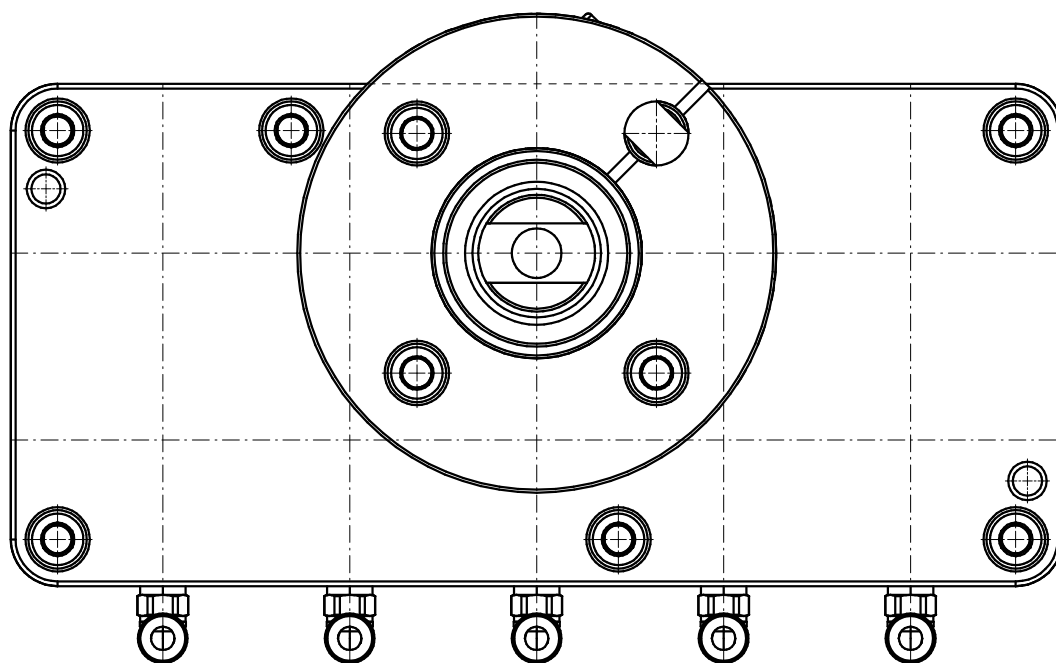


Air connection
1x each spindle
max. 6bar



Shank receptacle $\varnothing 10H7$ R.H.



Air duct

